



**HIGHLIGHT**

**1. Rotating yoke:**  
Stepless 3D movement of the yoke and load.

**2. Information display:**  
Monitor battery status, vacuum pressure and load strain on the wireless remote control.



## SL 1008 OUTDOOR

LIFTS UP TO 1,000 KG / 2,200 LBS.

The SL 1008 Outdoor is our most advanced lift. It combines maximum lifting power and reach. Large window sections are easily and precisely handled using the multifunctional, rotary yoke.

The wireless remote controls all functions and offers freedom of movement for the operator. A display gives the operator full overview of battery status, vacuum level and actual load strain. The lift has a proportional hydraulic system that enables the operator to control the arm extremely precise.

The SL 1008 Outdoor is fitted with wide twin tyres to prevent the machine from getting bogged down. The lift is front-wheel driven and fitted with wide tyres to ensure unique stability when driving with a full load.

### TECHNICAL SPECIFICATIONS

|                         |                                   |
|-------------------------|-----------------------------------|
| Lifting cap. arm in/out | 1,000 / 280 kg - 2,200 / 620 lbs. |
| Lifting height          | 4,400 mm / 173 in.                |
| Extension of arm        | 2 x 830 mm / 2 x 33 in.           |
| Tip from horizontal     | 42° back / 86° fwd.               |
| Side shift              | 100 mm / 4 in.                    |
| Charging voltage        | 230V / 110V                       |
| Charging time           | Approx. 8 hrs.                    |
| Battery                 | 4 x 134 Ah AGM                    |
| Running period          | Up to 8 hrs.                      |
| Front-wheel drive       | 2000 W AC                         |
| Suction pads            | 6 x Ø400mm / Ø16 in.              |
| Width                   | 1,010 mm / 40 in.                 |
| Curb weight             | 1,300 kg / 2,860 lbs.             |
| Class                   | IP 65                             |



EXTENSION OF ARM  
**166 CM** /65 IN.



LIFTING HEIGHT  
**440 CM** /173 IN.



The SL 1008 Outdoor is the HULK of the Smartlift range

### BUILD YOUR SMARTLIFT

|                            |          |
|----------------------------|----------|
| Foam-filled tyres          | Standard |
| Electric key switch        | ■        |
| Special Color              | ■        |
| Wireless remote            | Standard |
| Hydraulic extension of arm | Standard |
| Hydraulic rotating yoke    | Standard |

■ Select the options you need

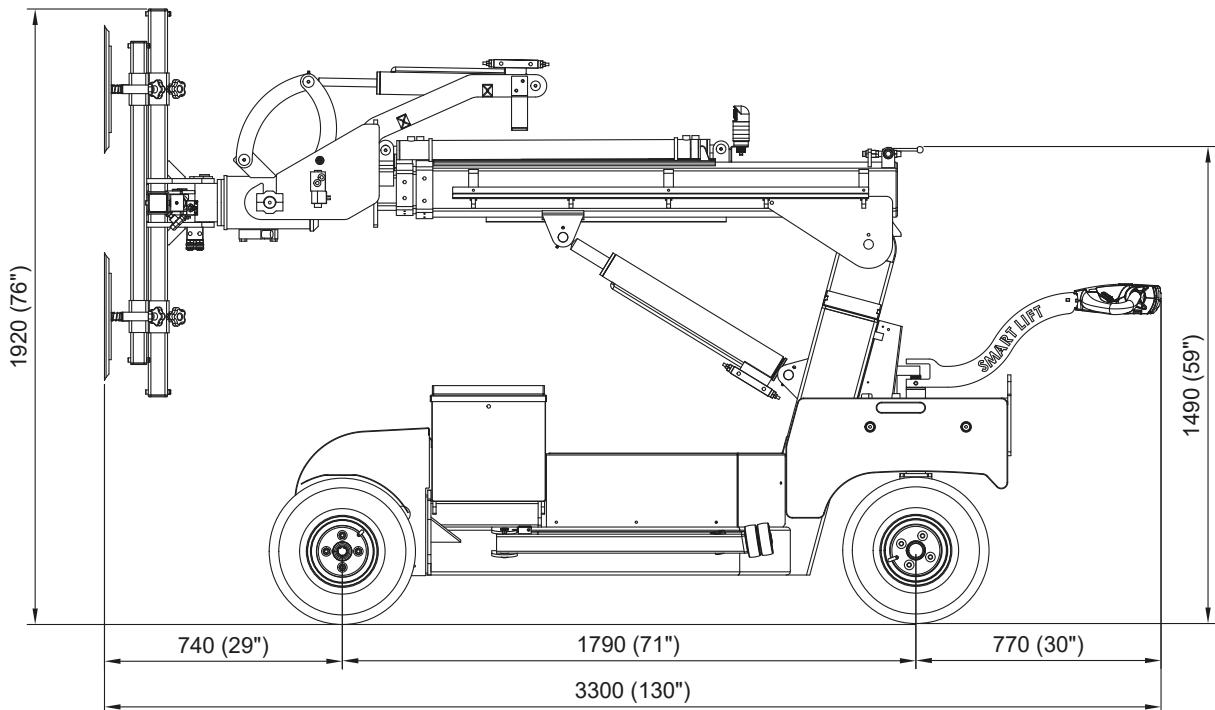
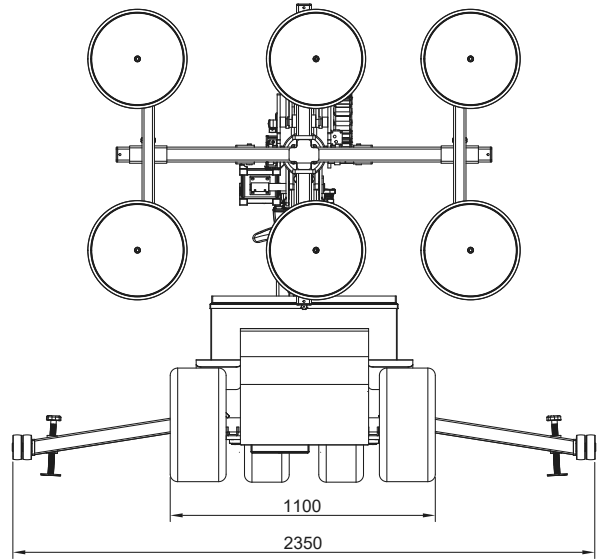


**SMARTLIFT®**

## SL 1008 OUTDOOR

### TECHNICAL SPECIFICATIONS

|                         |                                   |
|-------------------------|-----------------------------------|
| Lifting cap. arm in/out | 1,000 / 280 kg - 2,200 / 620 lbs. |
| Lifting height          | 4,400 mm / 173 in.                |
| Extension of arm        | 2 x 830 mm / 2 x 33 in.           |
| Tip from horizontal     | 42° back / 86° fwd.               |
| Side shift              | 100 mm / 4 in.                    |
| Charging voltage        | 230V / 110V                       |
| Charging time           | Approx. 8 hrs.                    |
| Battery                 | 4 x 134 Ah AGM                    |
| Running period          | Up to 8 hrs.                      |
| Front-wheel drive       | 2000 W AC                         |
| Suction pads            | 6 x Ø400mm / Ø16 in.              |
| Width                   | 1,010 mm / 40 in.                 |
| Curb weight             | 1,300 kg / 2,860 lbs.             |
| Class                   | IP 65                             |



# SL1008 Outdoor

