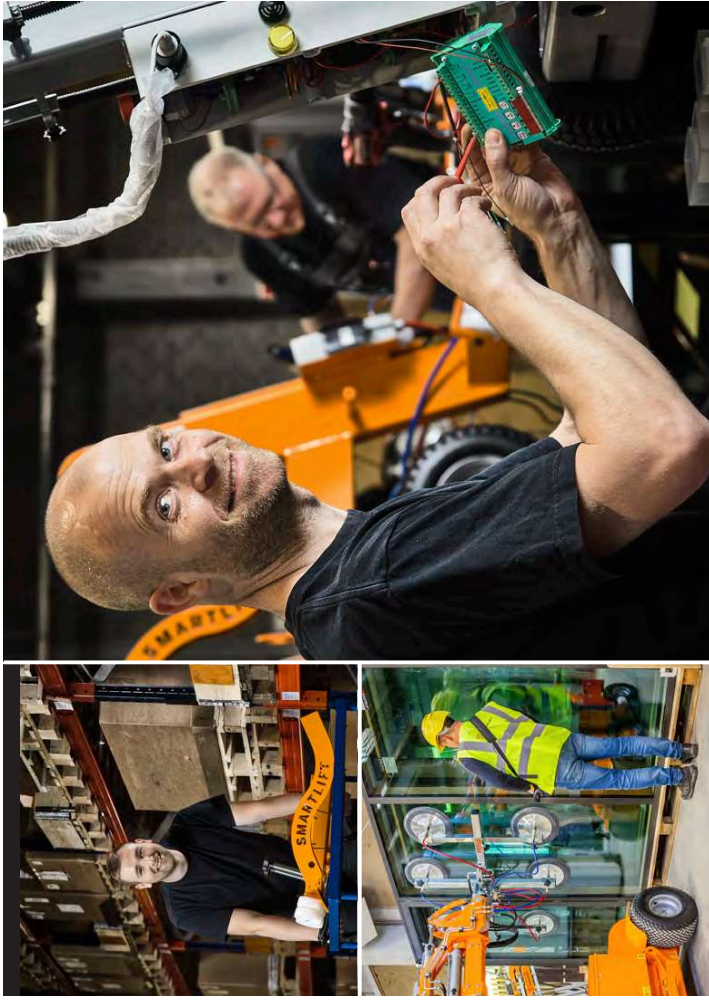


# SMARTLIFT LIFTING SOLUTIONS



SMARTLIFT



## SMARTLIFT - THE SAFE CHOICE

### Made in Denmark

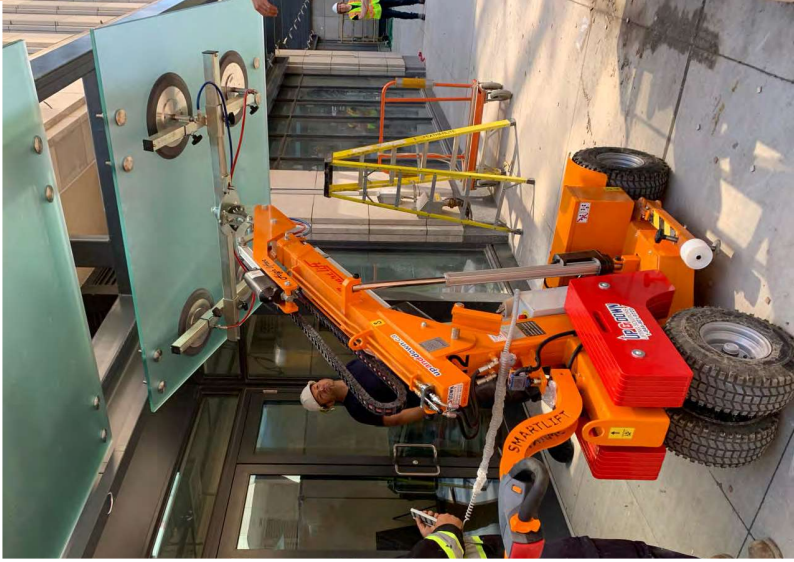
Every Smartlift is proudly made in Denmark. This means that we can ensure high-quality craftsmanship by sourcing core parts and materials mostly from local vendors.

Since 2008, we've been refining our production processes and embracing new technologies with our partners to enhance the functionality of our machines. Rigorous quality and functionality checks are standard, guaranteeing that every unit we produce meets the highest standards.

### We invest in stock, parts, and service

We are committed to excellence not only in our products but also in our support. We train our own service technicians and those of our dealers to ensure expert assistance is readily available, whether at your company premises or directly on the construction site. Our warehouses, along with our dealers', are fully stocked with spare parts, allowing us to ship most orders the same day. This minimizes downtime and ensures your operations run smoothly.

We recommend that your Smartlift undergoes an annual service check to inspect moving parts, test the battery, and ensure all safety standards are met. This proactive maintenance helps keep your equipment in prime condition and your projects on track.



# 5

## REASONS TO CHOOSE SMARTLIFT

- ➔ **Precision handling**  
Smartlift machines offer precise control and maneuverability, ensuring that heavy and fragile materials like glass, metal, and marble can be placed exactly where needed without risk of damage.
- ➔ **Enhanced safety**  
With Smartlift, the risk of accidents due to heavy lifting is significantly reduced. The lifter securely holds materials, preventing drops and reducing strain on workers, promoting a safer workplace.
- ➔ **Increased efficiency**  
Owning a Smartlift allows your business to handle more projects faster, thanks to the efficiency of the equipment. This efficiency can help you bid on and win larger and more prestigious projects.
- ➔ **Ease of use**  
Smartlifts are designed with user-friendly controls and are battery-powered for clean operation, making them easy to use on any job site without the need for specialized training. Additionally, their quiet operation ensures they can be utilized in noise-sensitive environments without causing disruptions.
- ➔ **Reliable support and longevity**  
Smartlift not only provides dependable support and maintenance but also ensures a long lifetime for each machine. With a comprehensive service network and a stock of readily available spare parts, we guarantee minimal downtime and continuous operation for years to come.



## Choosing the right Smartlift

### A CHECKLIST FOR SELECTING THE PERFECT SMARTLIFT

When considering the purchase of a Smartlift, it's crucial to evaluate several aspects to ensure the model you choose aligns with your needs.

- 1** Start by assessing the primary functions such as lifting capacity and height, and if you need vacuum suction. These determine the core performance of the Smartlift and ensure it meets your operational requirements.
- 2** Next, examine additional specifications that may affect usability, such as turning radius and suitability for indoor versus outdoor environments.
- 3** Decide on the type of machine that best fits your application, whether it requires manual or electric extension of the arm or a rotating yoke for better maneuverability of loads.
- 4** Consider potential assembly line enhancements such as an electric key switch, tires that do not mark surfaces, a specific color to match your company branding, a cordless remote for ease of operation, and a foldable handle for improved storage and transport.
- 5** Evaluate whether you'll need accessories to maximize utility and efficiency. Options could include ramps for easier loading, specialized suction cups for different materials, forks for handling varied loads, or additional hooks.

**Our sales representatives, partners, and the Customer Service department are ready to assist you in making informed choices, ensuring you purchase a Smartlift that perfectly meets your specific requirements, equipped with the right features and accessories for optimal performance in your setting.**



# MULTI LIFTER MACHINES TECHNICAL INFORMATION

	Lifting capacity arm in/out	Lifting height	Extension of arm	Tip from horizontal	Turning radius	L x W x H	Drive wheel(s)	Curb weight
<b>SLI 208</b>	200 / 185 kg	230 cm	50 cm	54° back 100° fwd	88 cm	142 x 74 x 121 cm	Rear wheels	460 kg
<b>SLI 250</b>	250 / 130 kg	325 cm	90 cm	56° back 62° fwd	126 cm	228 x 68 x 135 cm	Rear wheels	490 kg
<b>SLI 250 HLE</b>	250 / 50 kg	410 cm	90 + 90 cm	56° back 62° fwd	126 cm	228 x 68 x 140 cm	Rear wheels	550 kg
<b>SLI 409</b>	430 / 350 kg	275 cm	60 cm	53° back 131° fwd	147 cm	222 x 82 x 138 cm	Front wheels	660 kg
<b>SLI 409 HLE</b>	430 / 155 kg	325 cm	60 + 60 cm	53° back 131° fwd	147 cm	232 x 82 x 142 cm	Front wheels	680 kg
<b>SLI 609 HLE</b>	600 / 250 kg	370 cm	70 + 90 cm	34° back 98° fwd	161 cm	252 x 83 x 154 cm	Front wheels	900 kg
<b>SLI 1009</b>	1000 / 400 kg	435 cm	83 + 83 cm	44° back 80° fwd	210 cm	304 x 102 x 157 cm	Front wheels	1410 kg

■ All SLI machines have 8-10 hours operation when fully charged.

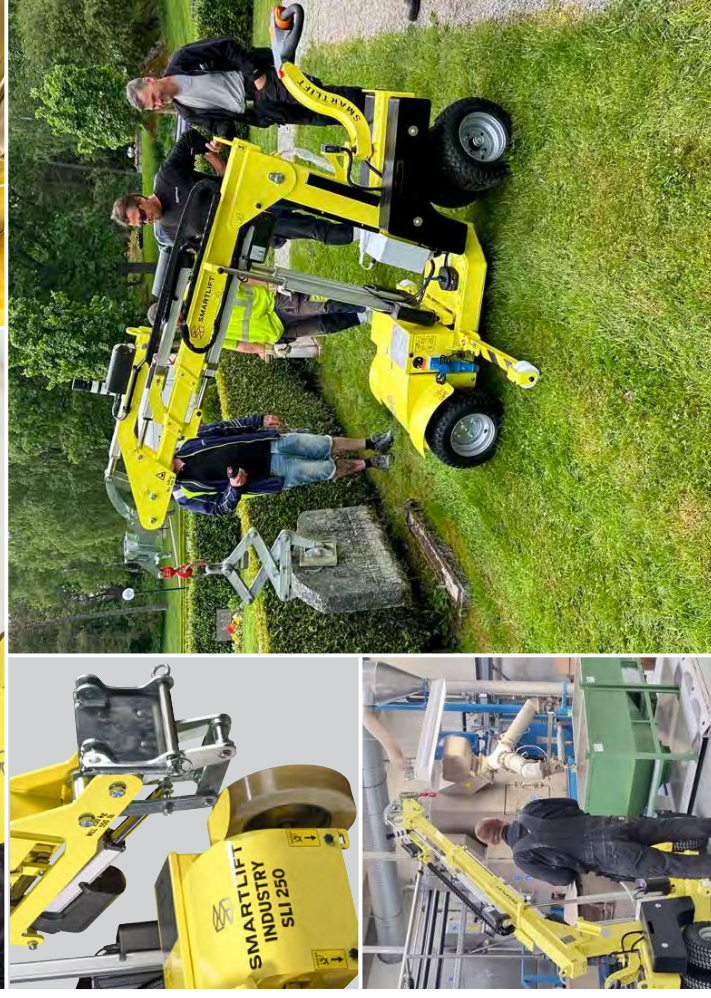
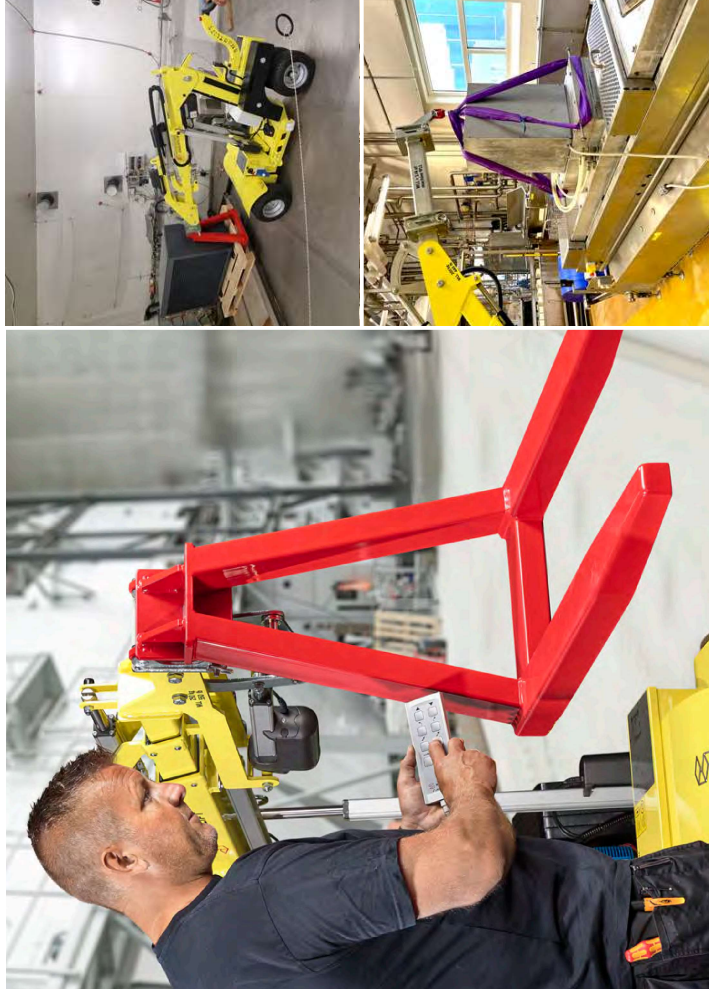
## The Smartlift Multi Lifter without a vacuum system offers several advantages for various industrial and construction settings

- **Versatile accessory compatibility**  
The machine supports a range of accessories, enhancing its utility for different tasks.
- **Quick tool exchange**  
Switching tools on this model is fast, reducing downtime between tasks.
- **Battery powered operation**  
The machine is driven by batteries, producing no emissions and making it suitable for indoor use and environmentally sensitive areas.
- **Maneuverability in tight spaces**  
This Smartlift can operate in areas where space is limited, and traditional forklifts cannot access.
- **Small turning radius**  
The machine's compact turning radius allows for better handling and positioning in confined spaces.
- **Effective placement and installation capability**  
It extends into tight spots to move, place, and install items, simplifying complex tasks.
- **Long battery life**  
It runs for 8-10 hours on a full charge, supporting extended work periods without the need for frequent recharging.
- **No license required for operation**  
Operators do not need a specific certificate to operate the machine (check local legislation), facilitating easier adoption and use within teams.

### WATCH VIDEO: SLI 409

Watch the Smartlift SLI 409 in action at Teknologisk Institut, effortlessly moving a heavy heat pump on a pallet. This video demonstrates the SLI 409's precision and power, navigating through tight spaces and delicate flooring, without the need for a traditional forklift.

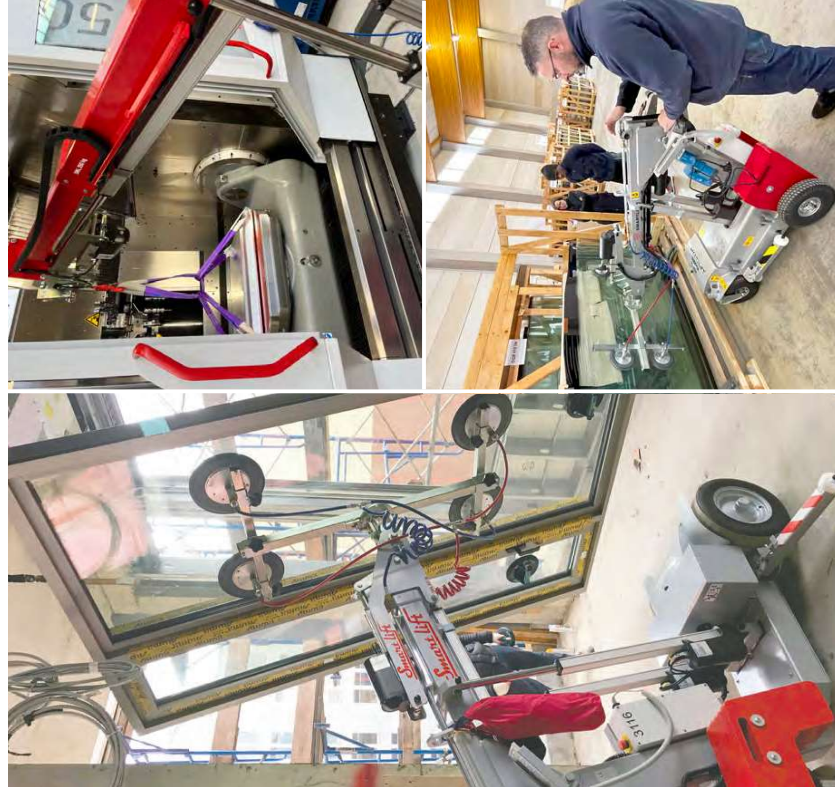
Customer: **Teknologisk Institut**



# SMARTLIFT INDOOR MACHINES

## WHAT CHARACTERIZES INDOOR MACHINES?

- Narrow chassis
- Stable and maneuverable on even surfaces
- Small turning radius
- High lifting capacity relative to the machine size
- Rear-wheel drive
- No certification required for operation (check local legislation)
- Highly suitable for use in workshops, indoor construction sites, factories, homes, and many other places



### WATCH VIDEOS



#### SL 208 INDOOR

The SL 208 Indoor has a narrow chassis and a turning circle of just 88 cm, which makes the glass lifter easy to manoeuvre anywhere in the apartment building.

Customer:  
**DN Tømrer**

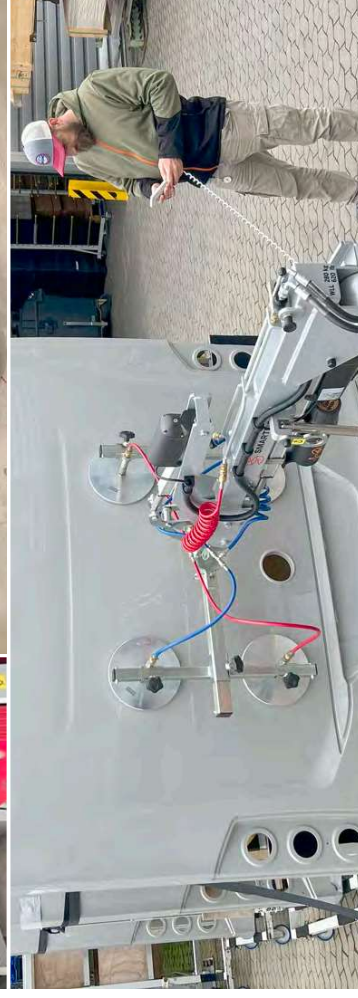
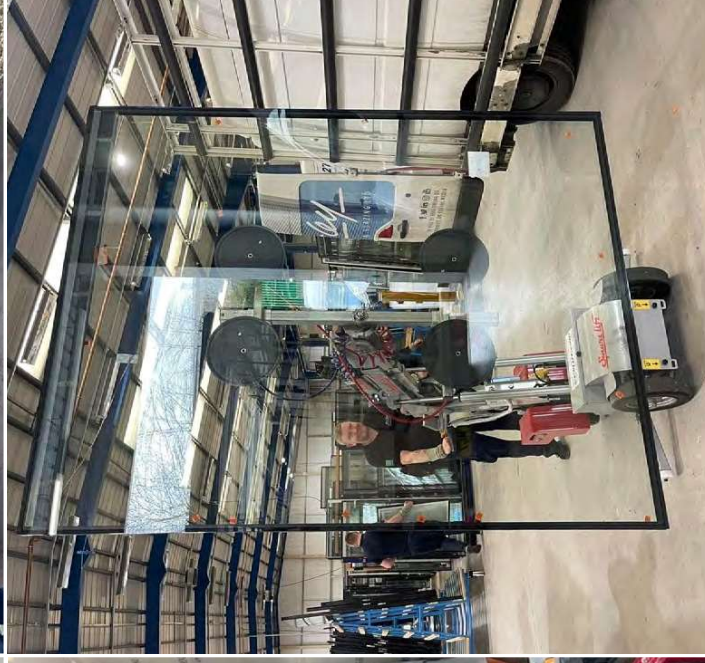


#### SL 280 INDOOR

The Smartlift SL 280 Indoor provides high usability for the operator, efficiency and precision during installation and a safe work environment with no heavy lifting for the employees.

The Smartlift runs safely on the ice, while keeping the window in balance at all times.

Customer:  
**Odense Idrætspark**



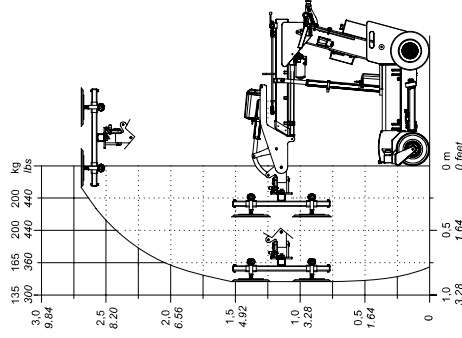
# INDOOR MACHINES TECHNICAL INFORMATION

# INDOOR MACHINES LOAD CHARTS

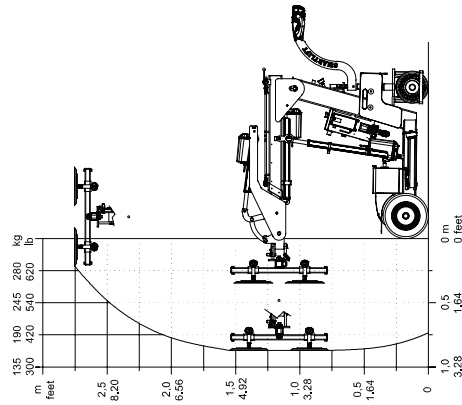
	Lifting capacity arm in/out	Lifting height	Extension of arm	Tip from horizontal	Turning radius	Suction pads	L x W x H	Curb weight
<b>SL 208</b>	200 / 150 kg	265 cm	50 cm	54° back 100° fwd	88 cm	4 x ø20 cm	167 x 74 x 128 cm	480 kg
<b>SL 280</b>	280 / 60 kg	275 cm	50 cm	49° back 104° fwd	116 cm	4 x ø30 cm	217 x 63 x 133 cm	490 kg
<b>SL 380</b>	380 / 210 kg	265 cm	50 cm	49° back 105° fwd	125 cm	4 x ø30 cm	227 x 68 x 133 cm	530 kg
<b>SL 580</b>	580 / 280 kg	240 cm	50 cm	43° back 105° fwd	146 cm	4 x ø40 cm	239 x 78 x 139 cm	690 kg

■ All indoor machines have rear wheel drive, electro-magnetic brake, and up to 10 hours operation when fully charged.

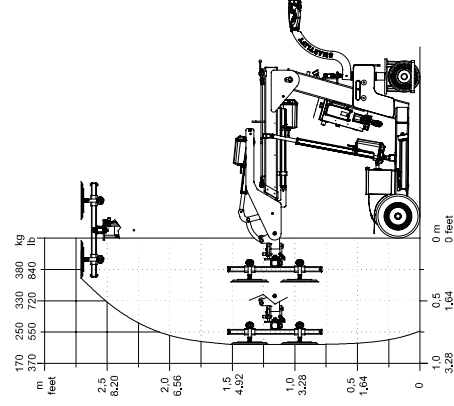
**SL 208 INDOOR**



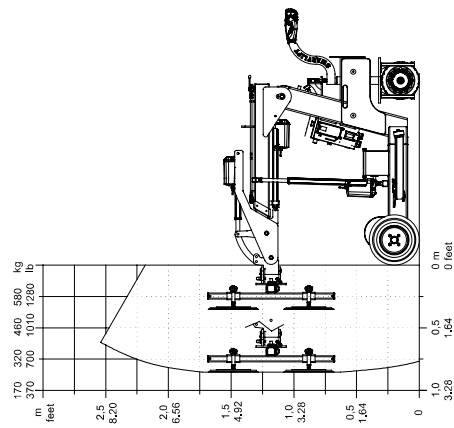
**SL 280 INDOOR**



**SL 380 INDOOR**



**SL 580 INDOOR**



# SMARTLIFT OUTDOOR MACHINES

## WHAT CHARACTERIZES OUTDOOR MACHINES?

- Strong and flexible machines with high lifting height and capacity
- Built for great performance outdoor and on uneven surfaces
- Front-wheel drive
- Suitable for both outdoor and indoor work
- Available in many sizes, from ultra-compact to extremely long reach
- No certification required for operation (check local legislation)
- Available with a variety of tools and accessories



### WATCH VIDEOS



#### Extend and retract lateral support legs

The support legs on your Smartlift are to be used when lifting and/or transporting loads.

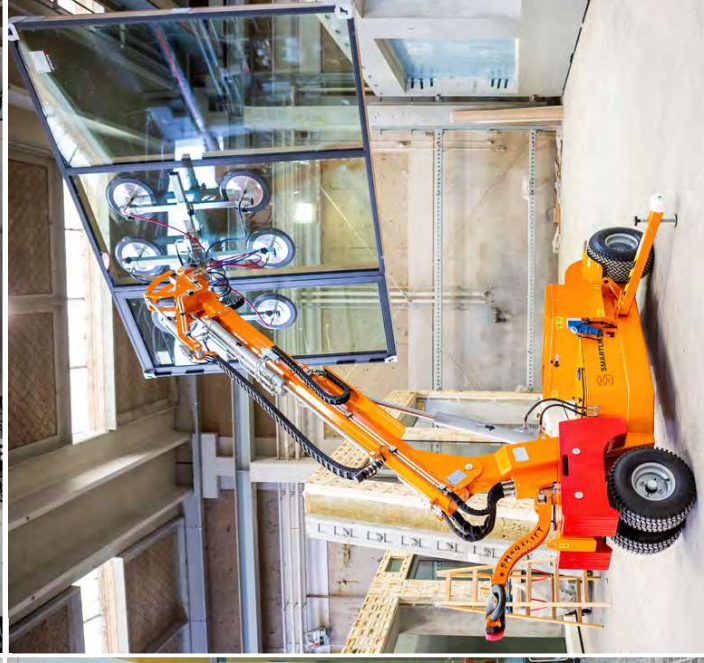


#### Sideways yoke positioning

Position the yoke on your Smartlift. This function is perfect for moving through tight spaces like doorways and narrow corridors.



#### Rotating yoke by remote

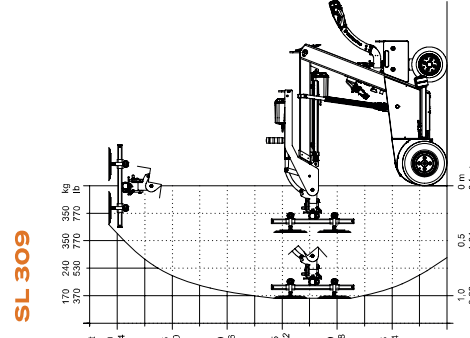
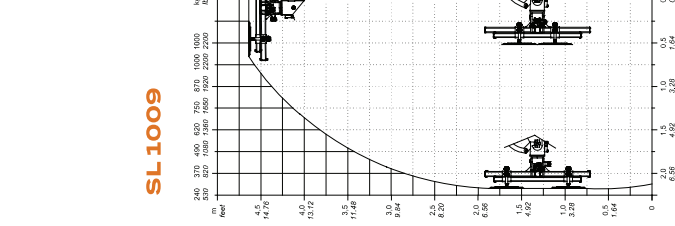
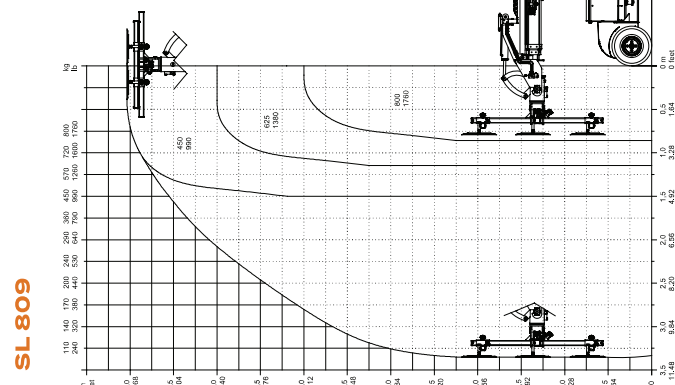
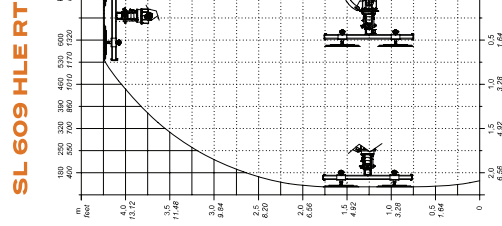
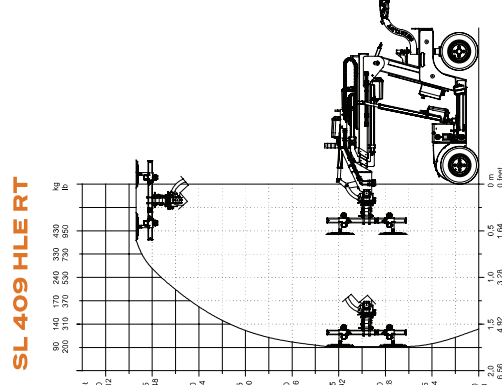


	Lifting capacity arm in/out	Lifting height	Extension of arm	Tip from horizontal	Turning radius	Suction pads	L x W x H	Curb weight
<b>SL 309</b>	350 / 170 kg	307 cm	60 cm	35° back 135° fwd	112 cm	4 x ø30 cm	169 x 82 x 141 cm	620 kg
<b>SL 409</b>	430 / 200 kg	310 cm	60 cm	53° back 131° fwd	147 cm	4 x ø30 cm	250 x 82 x 139 cm	700 kg
<b>SL 409 HL</b>	430 / 100 kg	365 cm	60 + 60 cm	53° back 131° fwd	147 cm	4 x ø30 cm	260 x 82 x 140 cm	710 kg
<b>SL 409 HLE</b>	430 / 100 kg	365 cm	60 + 60 cm	53° back 131° fwd	147 cm	4 x ø30 cm	259 x 82 x 143 cm	720 kg
<b>SL 409 HLE RT</b>	430 / 100 kg	365 cm	60 + 60 cm	35° back 106° fwd	147 cm	4 x ø30 cm	259 x 82 x 143 cm	730 kg
<b>SL 609 HL</b>	600 / 170 kg	415 cm	70 + 90 cm	36° back 98° fwd	161 cm	4 x ø40 cm	279 x 83 x 151 cm	930 kg
<b>SL 609 HLE</b>	600 / 170 kg	415 cm	70 + 90 cm	36° back 98° fwd	161 cm	4 x ø40 cm	279 x 83 x 154 cm	940 kg
<b>SL 609 HLE RT</b>	600 / 150 kg	425 cm	70 + 90 cm	32° back 83° fwd	161 cm	4 x ø40 cm	290 x 83 x 154 cm	950 kg
<b>SL 809</b>	800 / 90 kg	600 cm	128 + 128 cm	44° back 80° fwd	210 cm	6 x ø40 cm	308 x 102 x 164 cm	1510 kg
<b>SL 1009</b>	1000 / 280 kg	465 cm	83 + 83 cm	44° back 80° fwd	210 cm	6 x ø40 cm	332 x 102 x 157 cm	1480 kg

■ All outdoor machines have front wheel drive, electro-magnetic brake, and up to 10 hours operation when fully charged.

**MACHINE TYPES**

- **HL - High Lifter**  
 The machine has two extensions of the arm.  
 The first extension is operated with the remote control.  
 The second arm extension must be extended manually.  
 The yoke is rotated manually.
- **HLE - High Lifter Electric**  
 The machine has two extensions of the arm.  
 Both extensions are operated with the remote control.  
 The yoke is rotated manually.
- **HLE RT - High Lifter Electric Rotating Yoke**  
 The machine has two extensions of the arm.  
 Both extensions are operated with the remote control.  
 The yoke is rotated with the remote control.





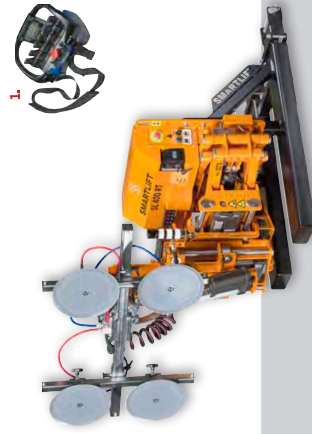
# SMARTLIFT SL 400 RT SKYLIFTER



- The SL 400 RT Skylifter is a light and independent electric manipulator. With the Smartlift pallet fork adapter (optional) it's easy to mount it on any telescopic loader, crane etc.
- The SL 400 RT Skylifter is ideal for buildings where installation is under overhangs or at oblique angles. The Skylifter can rotate 320 degrees due to the turning head. The rotation is a great advantage during the window installation, because it gives great flexibility. Precision mounting and installation is easy using the cordless remote control (1).

#### TECHNICAL INFORMATION:

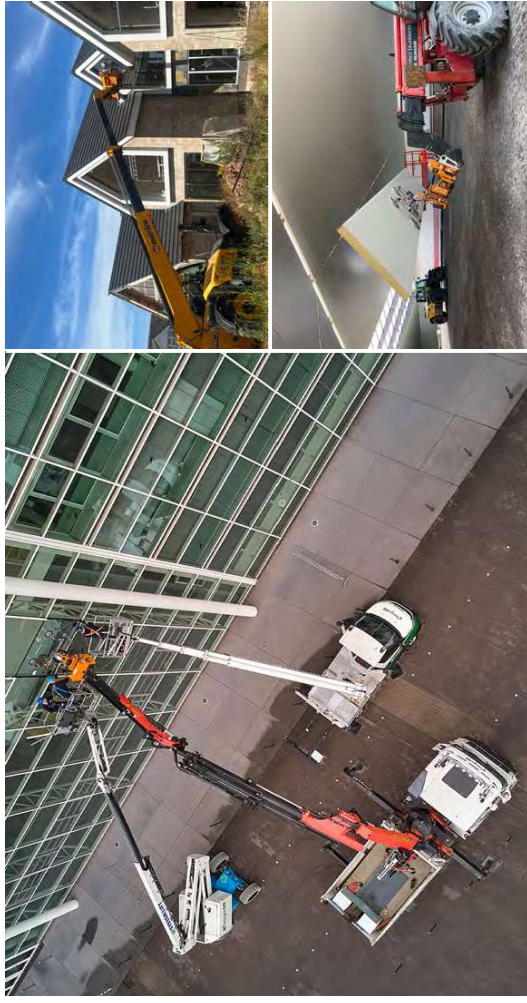
Lifting cap. arm in/out	400 kg
Lifting height	Depends on parent
Extension of arm	38 cm
Tip from horizontal	Depends on parent
Side shift	20 + 30 cm
Running period	Up to 8 hrs
Suction pads	4 x Ø30 cm
Curb weight	385 kg



The SL 400 RT is mounted with a pallet fork adapter allowing for mounting on various brands of telehandlers and other parent machines with pallet forks.



The SL 400 RT Skylifter excels in extending reach, surpassing other window lifters in height and distance capabilities, making it an indispensable asset for your projects.



# SMARTLIFT SL 1300 TROLLEY



**A rugged and self-propelled transport trolley with an electric lifter which raises up to 86 cm above ground level. The trolley has two side pockets for being lifted by a forklift.**

- Self-propelled forward/reverse
- Independent wheels
- Puncture-proof tires
- Indicator for low voltage

#### TECHNICAL INFORMATION:

WWL / rated load	1300 kg
Floor dimensions	188 x 70 cm / 268 x 70 cm
Floor height	56 - 86 cm
Total length	285 cm
Ground clearance	10 cm
Operation time	Approx. 8 hrs
Turning radius	3,1 m
Curb weight	450 kg

# ACCESSORIES

A Smartlift offers more than just lifting capabilities. You have the option to purchase ramps for simpler transport in a van, a hook for moving elements, forks for transporting pallets, tires that don't leave marks, special suction cups, a cordless remote control, among other enhancements.

For a comprehensive list of available add-ons, please refer to the accessories catalog. We are always happy to help you select the best options for your machine and business needs.



ACCESSORY GUIDE  
SMARTLIFT.COM

## THE MOST POPULAR ACCESSORIES

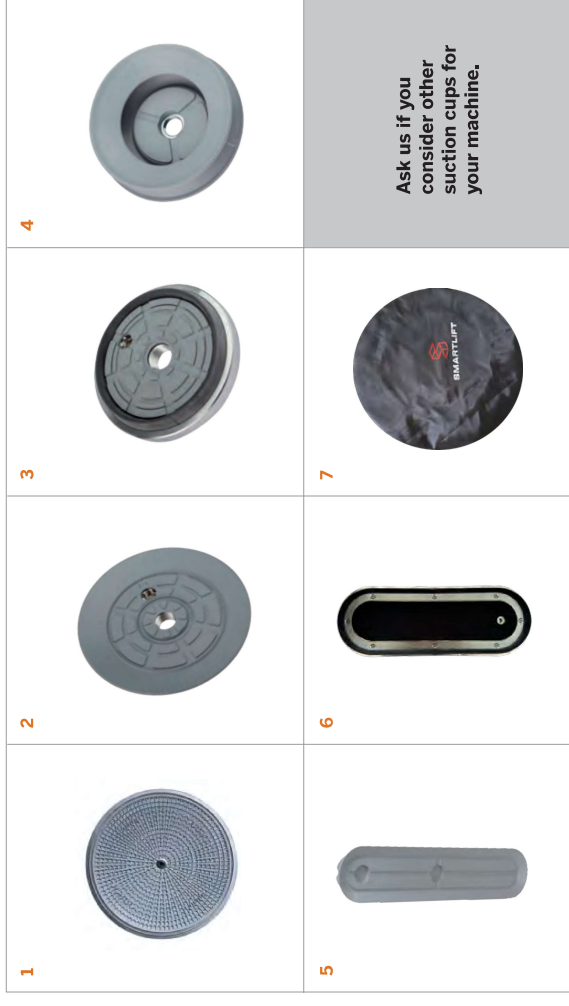
- Ramps
- Forks
- Hook
- White non-marking tires
- Special suction cups
- Extenders
- Custom color
- Electric key switch
- Foldable handle
- Cordless remote control
- Trackunit



# SUCTION CUPS

When you choose a Smartlift equipped with vacuum technology, it comes with SGF suction pads as standard equipment. To enhance the capabilities of your Smartlift, you have the option to purchase additional suction pads.

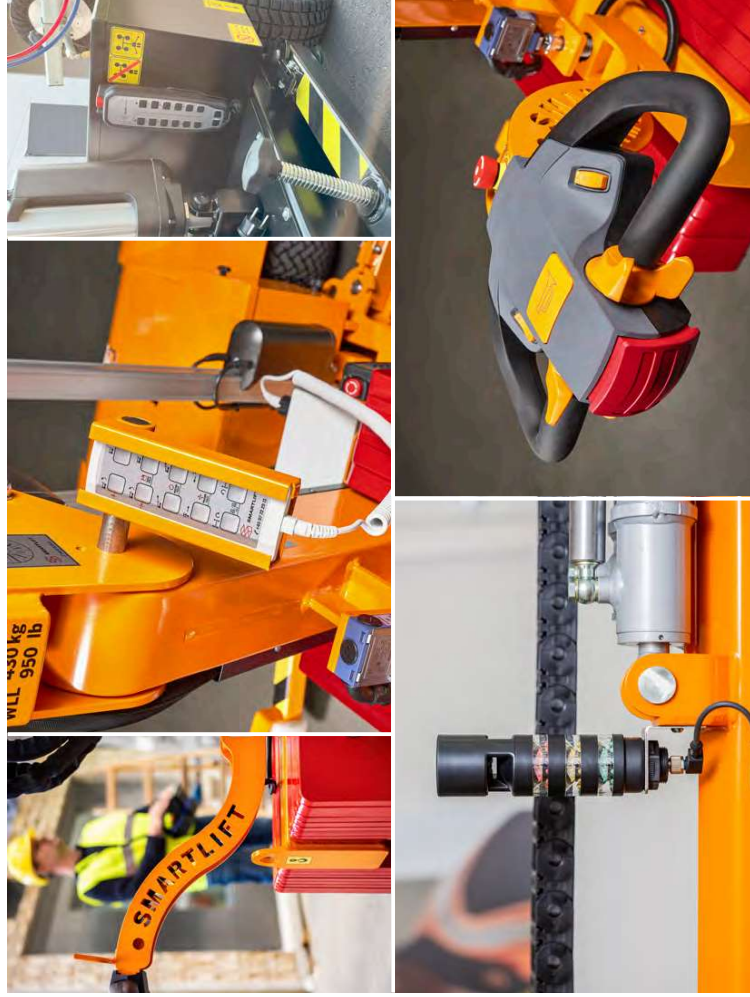
- 1 SGF suction pad**  
This is the standard suction pad and is suitable for lifting glass with a completely smooth and flat surface.
- 2 SPU suction pad**  
This pad handles glass with a smooth surface and can also lift elements that have minor irregularities.
- 3 SPK suction pad**  
Designed for lifting elements such as Paroc panels and other materials with a less than completely smooth surface.
- 4 FSGPL suction cups**  
These suction cups are suitable for curved and airtight surfaces.
- 5 SPLO suction pad**  
An oval-shaped suction pad, ideal for handling thin metal sheets and other lightweight materials.
- 6 Oval suction pad**  
Crafted for handling curved and uneven elements like windshields.
- 7 Protection cover**  
We recommend using protection covers for the vacuum cups when not in use. This helps to maintain lifting capacity by protecting against dust and dirt.



# SAFETY

The Smartlift ensures enhanced safety features for workplace operations. Utilizing a Smartlift reduces the need for manual handling, thereby decreasing the risk of injury to workers when positioning materials like glass, metal, or stone.

- **Support legs**  
The stabilizing legs can be extended to improve stability during operations.
- **Emergency stop**  
The machine includes an easily accessible emergency stop button that can halt all operations instantly to prevent accidents.
- **Low vacuum pressure alarm**  
An alarm sounds if the vacuum pressure drops below the safe threshold, alerting operators to potential issues with suction.
- **Horn**  
The steering handle includes a horn to warn nearby individuals of the machine's movements.
- **Fault alerts**  
The system notifies operators with an alarm if there are any malfunctions in the machine or the vacuum system, allowing for immediate attention and resolution.
- **Light tower**  
The light tower on the machine can either blink or emit a steady light in red, yellow, or green to indicate operational status, enhancing visibility and communication on busy sites.
- **Maintenance**  
Regular maintenance checks are straightforward, helping to ensure the machine remains in optimal working condition.



# TRACKUNIT

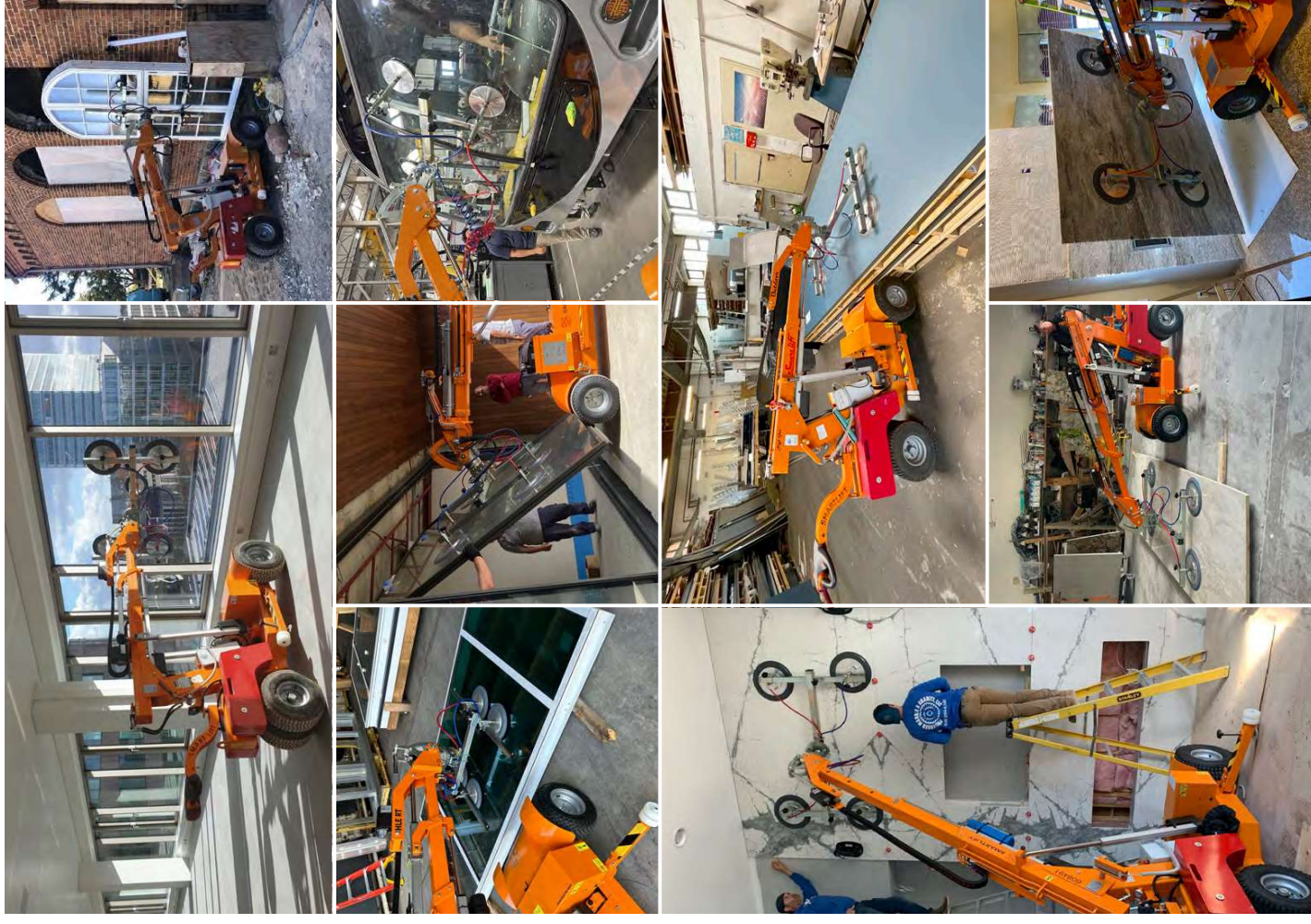
A Trackunit is a built-in IoT unit offering theft protection, remote diagnostics and enabling quick and precise service. It comes with a 36-month subscription, ready upon receipt. It is available as a built-in feature and as a retrofit option.

- **Theft protection and geofencing features**  
With Trackunit, you can monitor your machine in real-time and establish geofence around your construction site. You will receive alerts if the machine exits the designated area. This feature helps you quickly locate your equipment, significantly reducing the risks of theft and unauthorized use.
- **Enhanced service response**  
Upon your request, Smartlift can access your machine's data remotely for diagnostics, which allows for quicker and more precise diagnose and servicing.
- **Predictive maintenance and minimizing downtime**  
Trackunit utilizes usage data to forecast maintenance needs and sends you alerts to prevent potential breakdowns, thereby enhancing the reliability of your Smartlift. You can also upload and manage service schedules through an online service log, keeping all maintenance records organized and accessible.
- **Trackunit user interface**  
An app for your phone specifically developed for service technicians and operators. It gives you access to fault codes, graphical overview of machine usage, battery status, damage reporting and much more. Furthermore, a desktop application for fleet overview, setting alarms, deep dives into machine health, usage, and location, and a range of reports.



## GLASS

Smartlift is an invaluable team member for glass handling and window installation. It smoothly lifts glass from pallets and trucks and excels in positioning windowpanes for interior installations by angling them through apertures for precise placement. With Smartlift, the process is streamlined and safe, making it an essential tool for any glass-related construction project.



## METAL

Smartlift excels in handling metal by securely gripping sheets without scratching them. It retrieves and transports vertical metal sheets from storage to installation sites, crucial for metalworking environments. Using vacuum suction or hooks, Smartlift moves welded structures efficiently and without damage, enhancing workflow and ensuring precision and safety in operations where these are essential.



## STONE

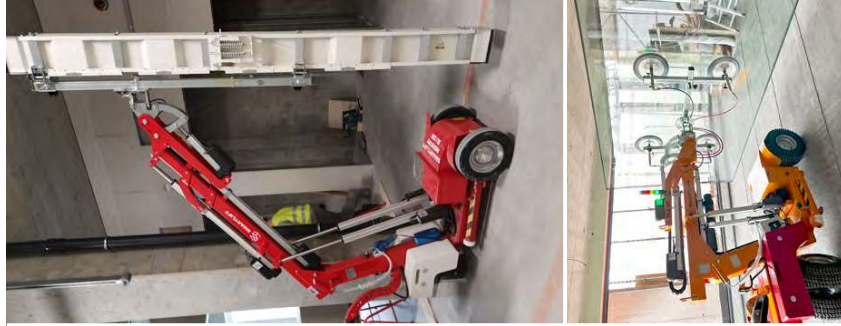
Smartlift excels at transporting and positioning heavy stone slabs, including granite and marble, securely and efficiently. It can precisely hold stone slabs for installations, such as marble walls around fireplaces or stone tabletops, ensuring flawless placement. The vacuum system safely manages fragile surfaces and premium materials without marking them, making Smartlift essential for perfect stone installation projects.



# CONSTRUCTION

Smartlift is a crucial tool in the construction industry because it enhances efficiency and safety on job sites. With its ability to handle and position heavy and delicate materials such as glass, metal, and stone slabs precisely, Smartlift reduces the physical strain on workers and minimizes the risk of workplace injuries. It ensures materials are not damaged during movement, which is particularly important when dealing

with expensive elements. Additionally, the flexibility to work with various accessories makes it adaptable to different tasks, from window installation to handling structural components. Smartlift helps construction teams complete projects faster and with less effort, allowing businesses to take on more and larger projects, boosting their potential for growth and success.



## SL 608 OUTDOOR

The challenge is how to handle the Paroc panels, with a length of more than four meters, are too big to handle manually. The team uses a SL 608 High Lifter with rotating yoke to handle and position the panels thereby avoiding putting too much strain on the body - and reduce the risk of material damage.

Customer: **Breinholz Service & Montage**



## SL 408 OUTDOOR

How does a Smartlift work and what difference does a glass lifter make for a professional glazier? In this video you see a professional glazier team working with a Smartlift in a high-rise building; much safer and much more efficient. With professional glass lifting equipment your project is in safe hands.

# INDUSTRY

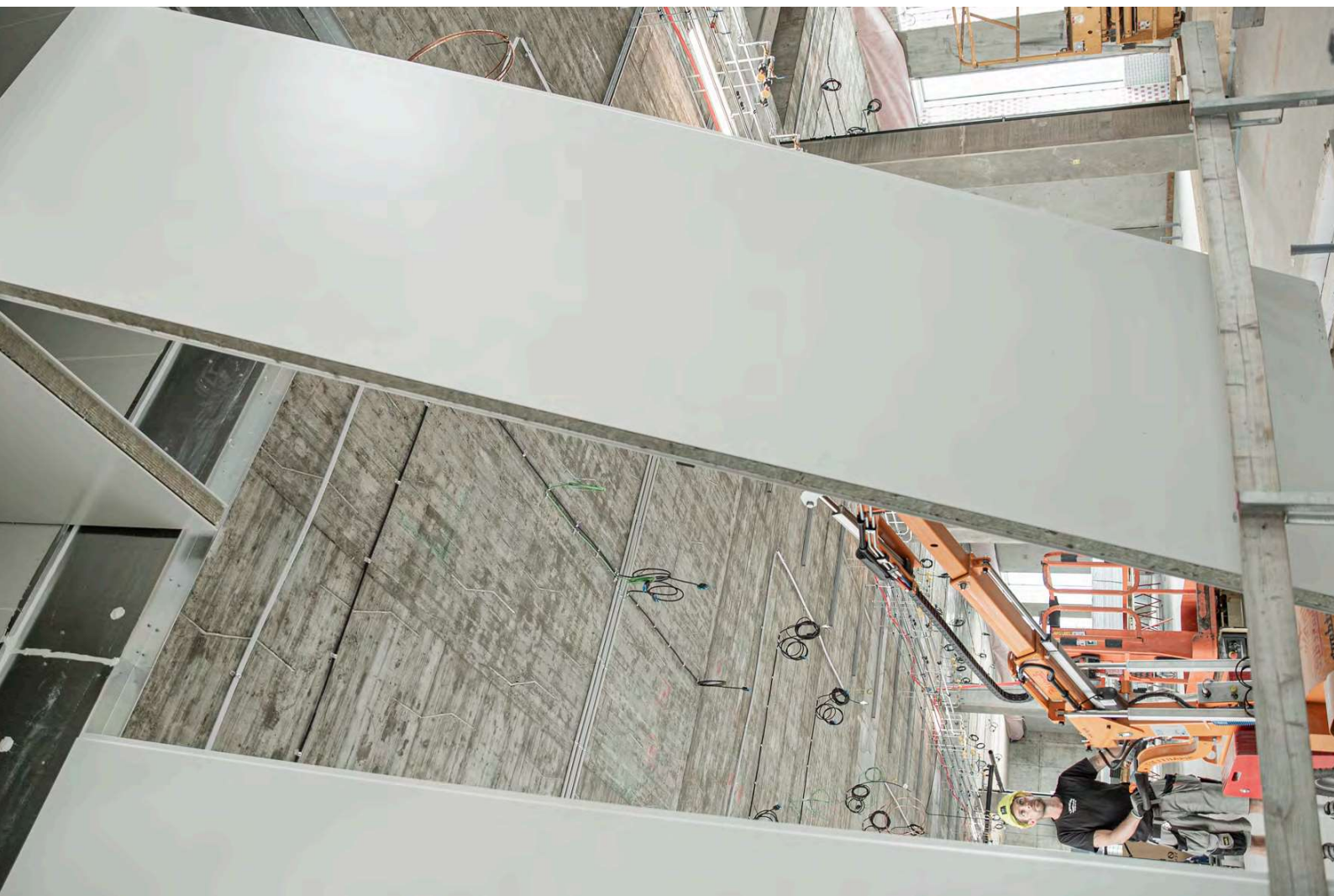
Smartlift proves its value in various industrial sectors through its maneuverability and precision. Its compact design allows it to access areas where larger machinery like trucks cannot fit, making it ideal for tight spaces. It is ideal for food production due to its zero emissions and its ability to precisely and powerfully handle delicate ingredients. In metalworking, Smartlift precisely positions heavy components, crucial for assembly processes. The chemical industry

benefits from its ability to handle hazardous materials safely and accurately. Additionally, for vehicle maintenance, such as replacing doors and windows on buses, trucks, and trains, Smartlift's remote control allows for exact placement, ensuring installations are secure and correct. This precision and flexibility make Smartlift indispensable for efficient, safe operations.



## SLI 409 MULTI LIFTER

Watch the SLI 409's precision and power, navigating through tight spaces and delicate flooring without the need for a traditional forklift. Discover how it enhances workplace efficiency and safety, perfectly positioning the heat pump for testing. Ideal for handling fragile and heavy loads with ease.





**SMARTLIFT**

N.A. Christensensvej 39  
7900 Nykøbing Mors  
Denmark

+45 9772 2911  
smart@smartlift.com

[www.smartlift.com](http://www.smartlift.com)



Website



Youtube