



Technical Data

Specification & Capacities

SPX532



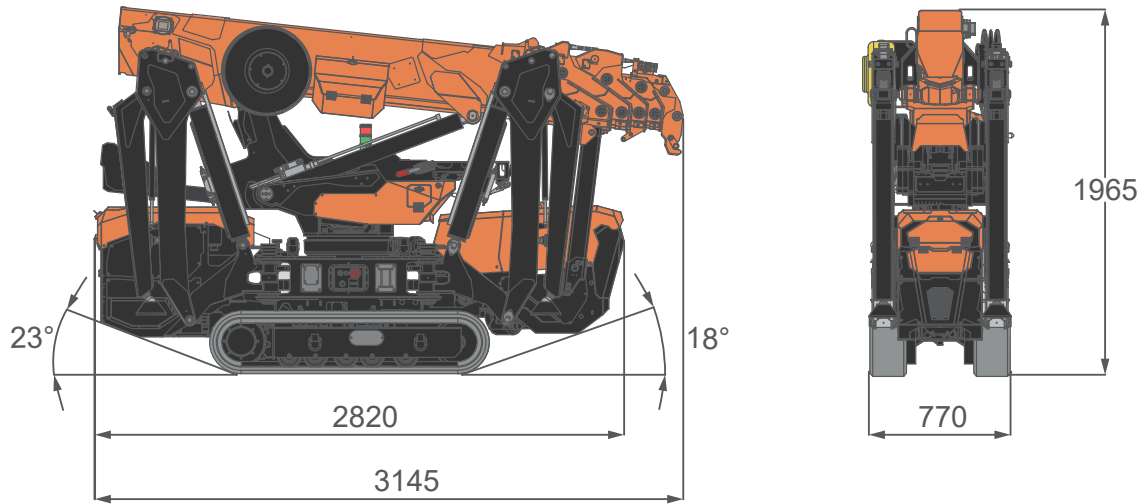
EN 13000:2014

06.03.2024 | Rev0.11

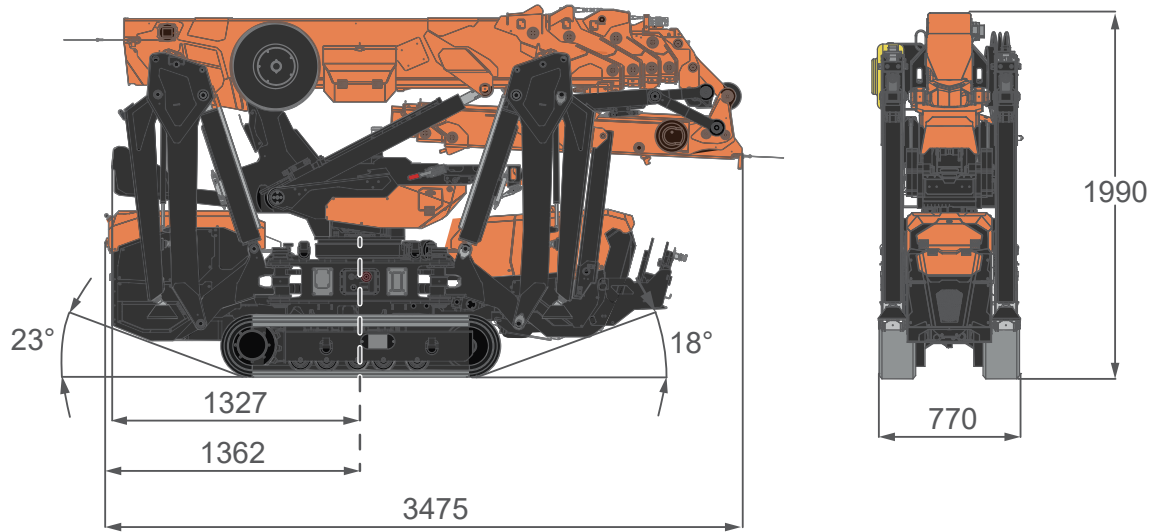
[m] [kg]

OVERALL DIMENSIONS

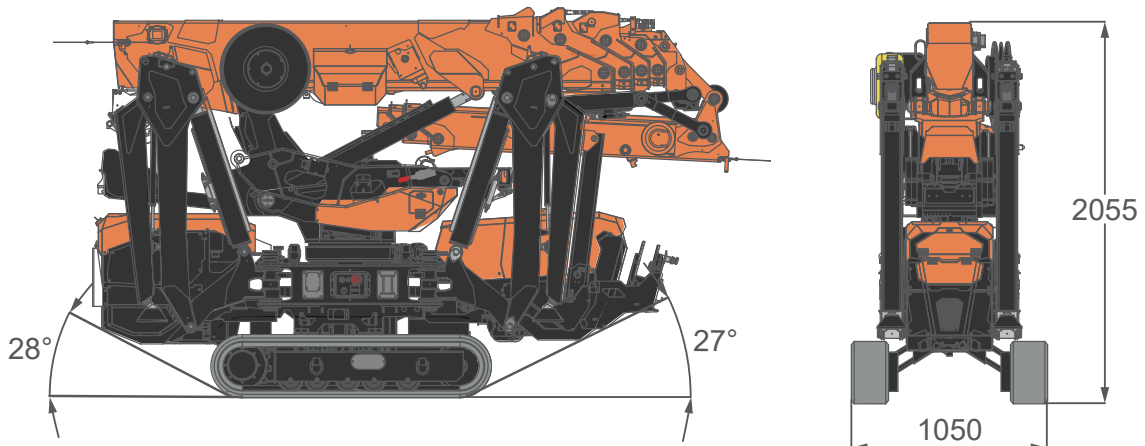
SPX532CDH NO JIB



JIB MOUNTED



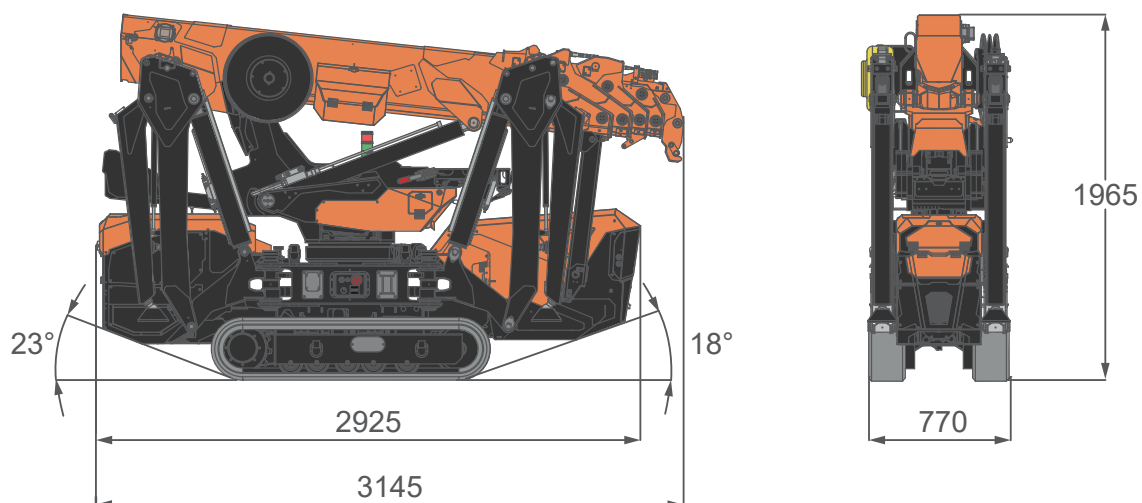
EXTENDED TRACKS



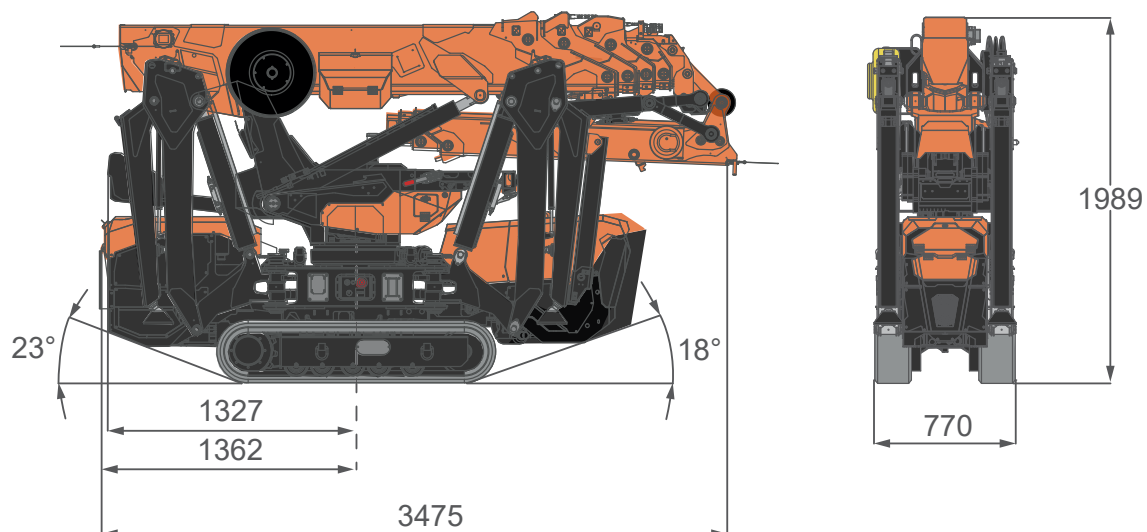
[mm]

OVERALL DIMENSIONS

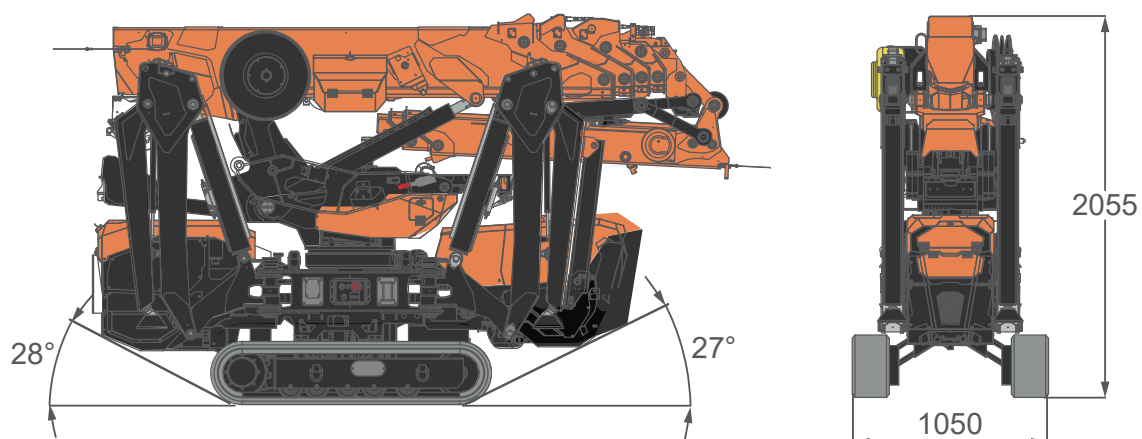
SPX532CL/CL2 NO JIB



JIB MOUNTED



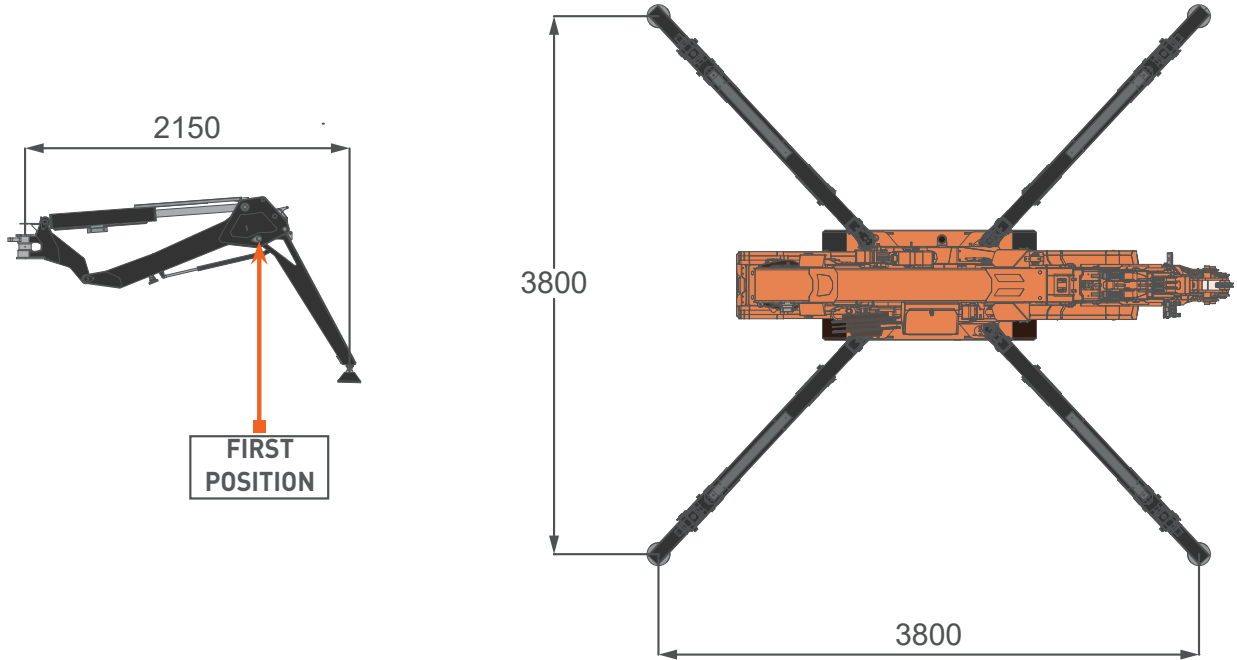
EXTENDED TRACKS



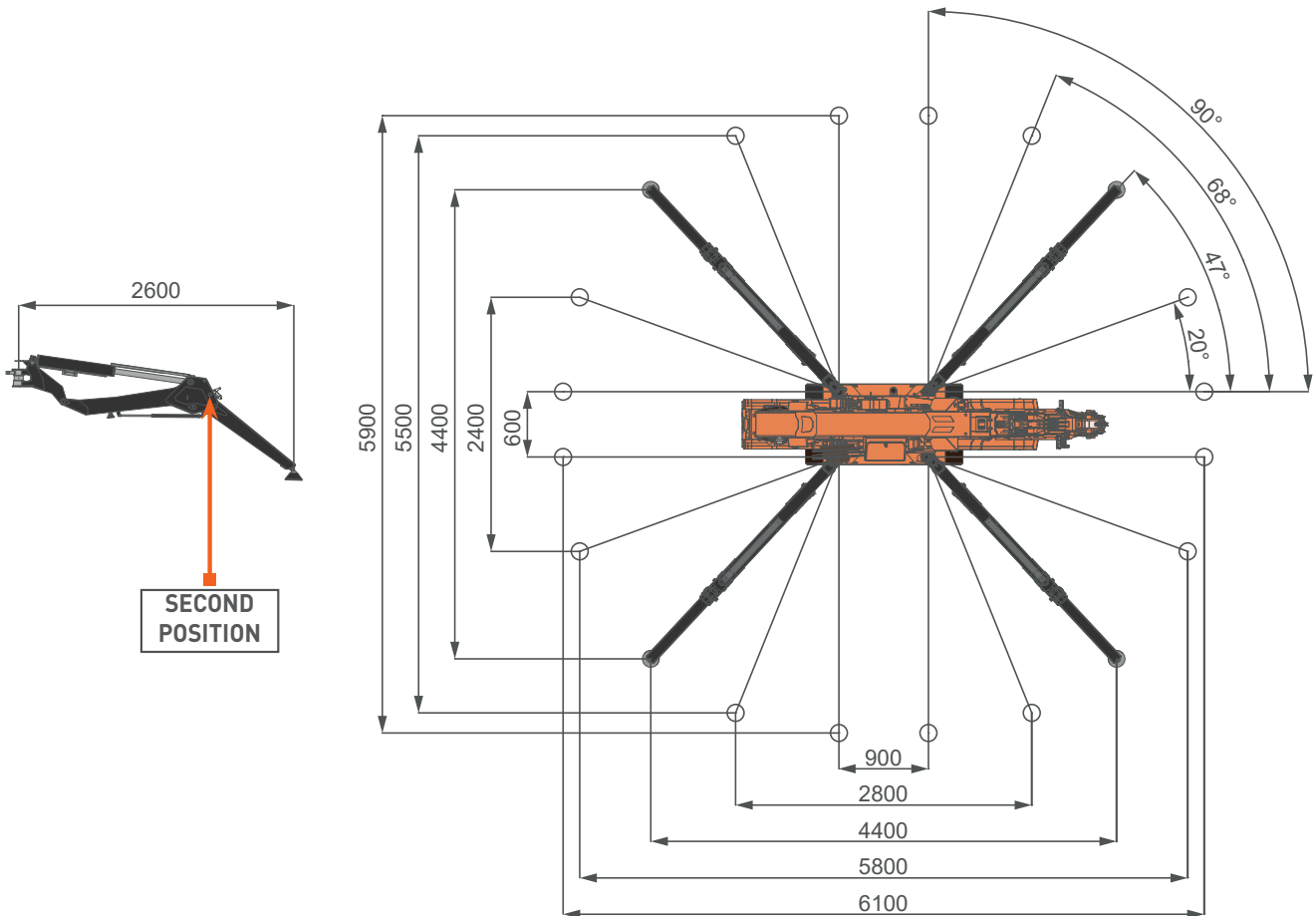
[mm]

OVERALL DIMENSIONS

SQUARE OUTFRIGGER 1ST POSITION STABILITY

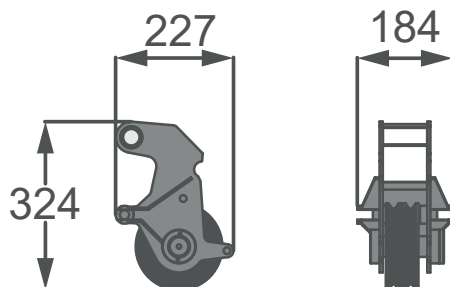


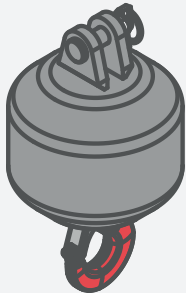
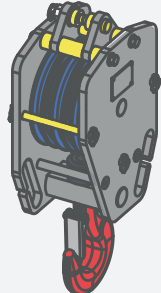
OUTRIGGER 2ND POSITION FULL STABILITY



[mm]


PULLEY HEAD AND HOOKBLOCK TILTING PULLEY HEAD





HOOK BLOCKS		
	Overhaul ball	4T
MODEL		
MAX SWL	1.000 kg	4.000 kg
NUMBER OF PULLEYS	---	2
NUMBER OF FALLS	1	4




OVERALL INFORMATION


	NAME	DESCRIPTIONS		U.M	VALUE	
CRANE INFO		OVERALL DIMENSIONS CDH	Height	mm	1.955	
			Length		3.145	
			Width		770	
		OVERALL DIMENSIONS CL/CL2	Height		1.955	
			Length		3.145	
			Width		770	
		BOOM	Length	m	2,5-10,8	
			Speed	s	40	
		SLEWING	Angle	°	360°	
			Speed	rpm	1,2	
		LIFTING	Angle	°	0°/80°	
			Speed	s	30*	
			Max Capacity		kg	3.200
			Max Outirgger Load Bearing		kg	3.000‡
			Track load		kg/cm ²	0,63
		Travel Speed	CDH	km/h	2,7	
			CL-CL2		1,8	
		Gradeability		°	20	
		Working Temperature		°C	-20°/+40°	
		Lifting Class (UNI 4301-1)			A1	

WEIGHTS		CRANE	All	kg	2.520
		HOOCKBLOCK	Single Fall	kg	20
			Multiple Fall	kg	49

*: Reference angle 0-50°
‡: Static lifting

ACCESSORIES		JIB	JIB1200GX	kg	50
			JIB1000.2H1MX	kg	210
			Manual Extension	kg	14
			Pulley Head	kg	8
		GRABBER	JIB500GR	kg	217
				OUTRIGGERS MATS	OM400
		POWER PACK			1-Phase Powerpack
			3-Phase Powerpack	kg	63

ENGINE		ENGINE CDH	Power	kW	16,1
			Horse Power	HP	22
			Tank capacity	L	10
		ELECTRIC CL	Voltage	V	24
			Power	kW	5,5
		ELECTRIC CL2	Voltage	V	48
Power			kW	7,0	

HYDRAULIC SYSTEM		Working Pressure		bar	230
		Tank Capacity		L	40
		OIL	Type	Synthetic	ISO 6743-4:HFDU
				Biodegradable	ISO VG46,48
			Viscosity Grade	VG	46
		MAIN PUMP CDH	Type	Axial Piston Pump	
			Displacement	cm ³ /rev	25
			Max Oil Flow	L/min	55
MAIN PUMP CL/CL2	Displacement	cm ³ /rev	15		
	Max Oil Flow	L/min	30		

HOIST PERFORMANCE

GEAR WINCH	Layer		Max pull line	Standard rope speed
			kg	m/min
	1		800	20
	2		800	21
	3		800	23
	4		800	25
5		800	26	
ROPE	Wire rope	Max load	Ø	Total length
		kg	mm	m
	19x7 right lang lay Non rotating	4.700	7	80

PISTON WINCH	Layer		Max pull line	Standard rope speed
			kg	m/min
	1		800	16
	2		800	17
	3		800	18
4		800	20	
ROPE	Wire rope	Max load	Ø	Total length
		kg	mm	m
	19x7 right lang lay Non rotating	4.700	7	67

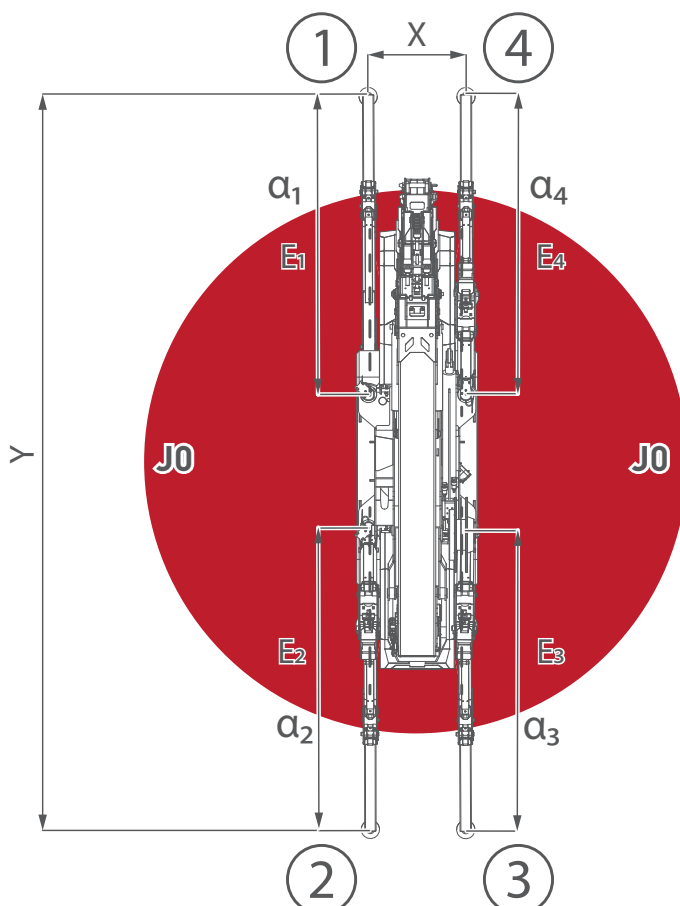
HOOK BLOCK	Block type	Load	N° of	
			Sheaves	Lines
		kg		
	Multiple falls block	3.200	2	4
2.400		1	3	
1.600		1	2	
Single fall block	800	-	1	

CRANE PERFORMANCE

CRANE PERFORMANCE	d = 1,16m			d = 1,82m		d = 2,18m
						J7
					J6	
				J5		
J1 - PICK & CARRY						
J0 - No LIFTING CAPACITY						
STABILITY AREA						

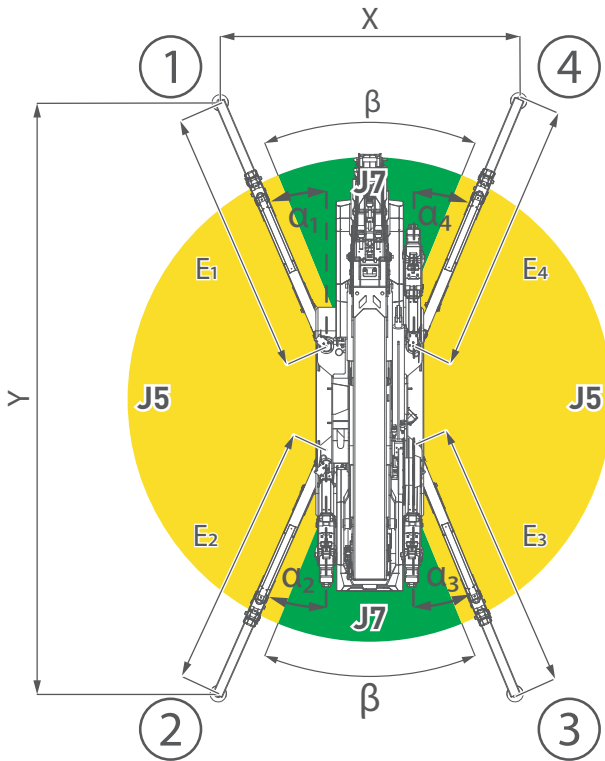
■ Full counterweight installed

CRANE PERFORMANCE STABILITY EXAMPLES

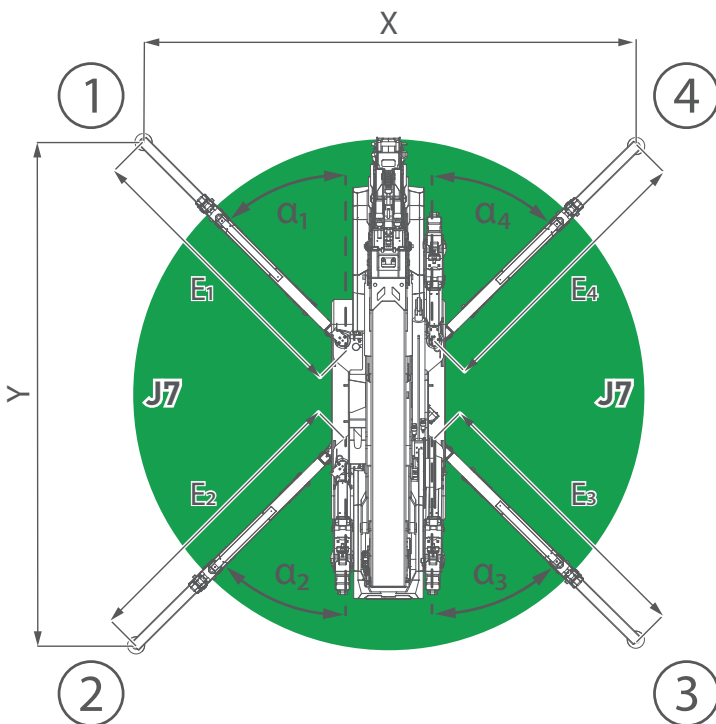


FULL SYMMETRIC STABILITY		
	Main Boom	with Jib
FOOTPRINT DIMENSIONS	X	0,6 m
	Y	6,2 m
OUTRIGGERS ANGLES	α_1	0°
	α_2	0°
	α_3	0°
	α_4	0°
OUTRIGGERS EXTENSIONS	E ₁	2,7 m
	E ₂	2,7 m
	E ₃	2,7 m
	E ₄	2,7 m

CRANE PERFORMANCE STABILITY EXAMPLES

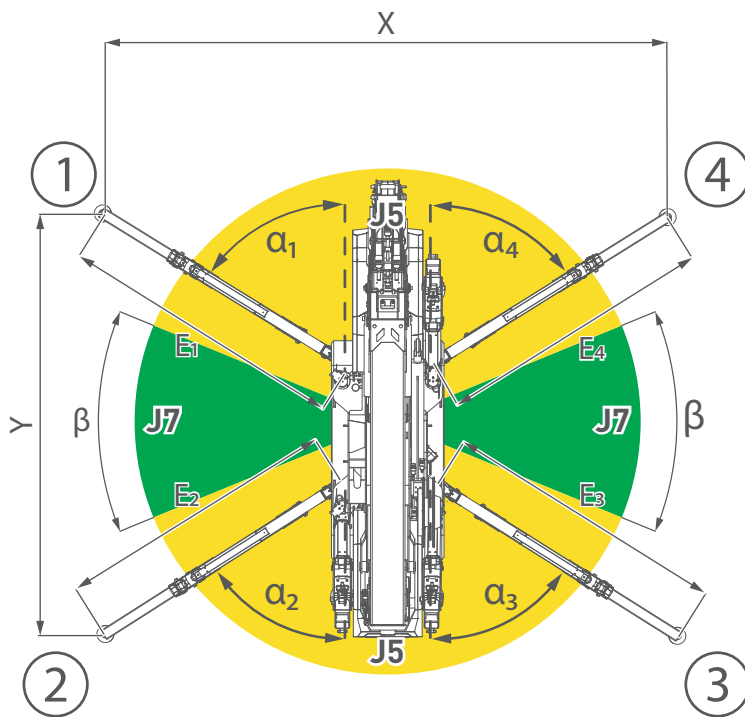


FULL SYMMETRIC STABILITY			
FOOTPRINT DIMENSIONS		Main Boom	with Jib
	X		2,6 m
Y		5,8 m	
OUTRIGGERS ANGLES	α_1	21°	
	α_2	21°	
	α_3	21°	
	α_4	21°	
OUTRIGGERS EXTENSIONS	E_1	2,6 m	
	E_2	2,6 m	
	E_3	2,6 m	
	E_4	2,6 m	
J7	β	42°	

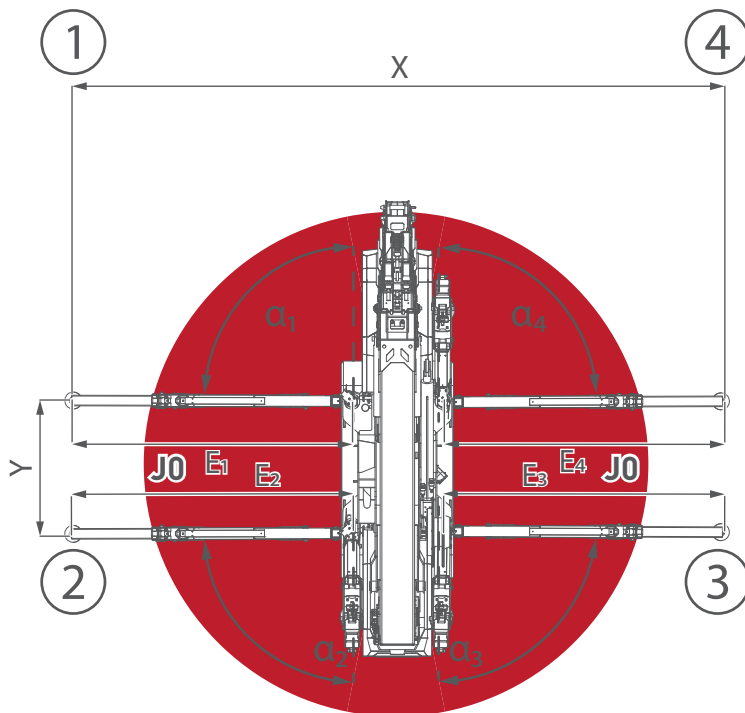


FULL SYMMETRIC STABILITY			
FOOTPRINT DIMENSIONS		Main Boom	with Jib
	X		4,5 m
Y		4,5 m	
OUTRIGGERS ANGLES	α_1	47°	
	α_2	47°	
	α_3	47°	
	α_4	47°	
OUTRIGGERS EXTENSIONS	E_1	2,6 m	
	E_2	2,6 m	
	E_3	2,6 m	
	E_4	2,6 m	

CRANE PERFORMANCE STABILITY EXAMPLES



FULL SYMMETRIC STABILITY			
FOOTPRINT DIMENSIONS		Main Boom	with Jib
	X		5,6 m
Y		2,8 m	
OUTRIGGERS ANGLES	α_1	69°	
	α_2	69°	
	α_3	69°	
	α_4	69°	
OUTRIGGERS EXTENSIONS	E_1	2,6 m	
	E_2	2,6 m	
	E_3	2,6 m	
	E_4	2,6 m	
J7	β	42°	

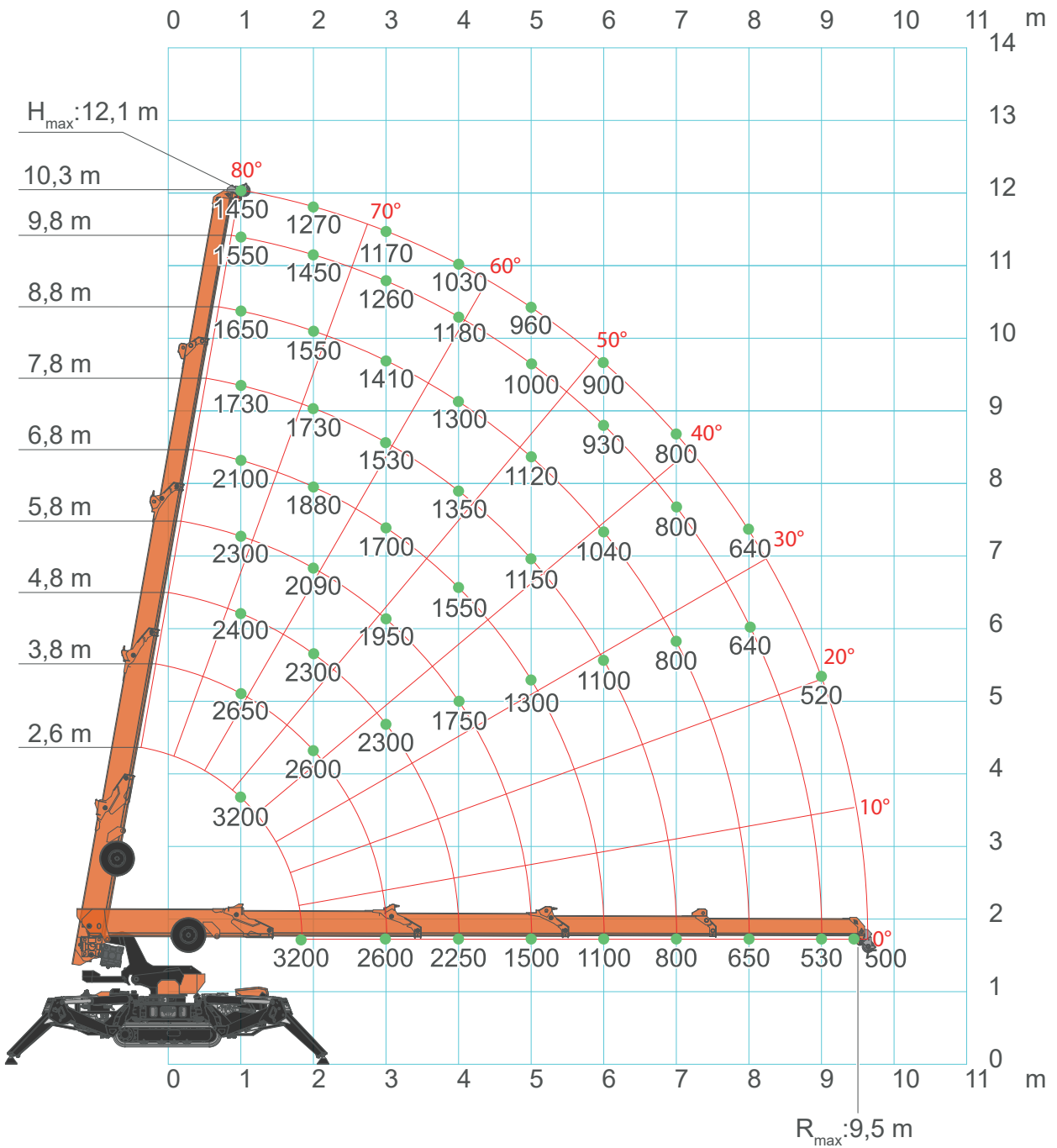


FULL SYMMETRIC STABILITY			
FOOTPRINT DIMENSIONS		Main Boom	with Jib
	X		5,9 m
Y		0,9 m	
OUTRIGGERS ANGLES	α_1	90°	
	α_2	90°	
	α_3	90°	
	α_4	90°	
OUTRIGGERS EXTENSIONS	E_1	2,6 m	
	E_2	2,6 m	
	E_3	2,6 m	
	E_4	2,6 m	

SPX532 - MAIN BOOM

HOOK configuration

J7



SPX532 - MAIN BOOM

HOOK configuration

CRANE PERFORMANCE	d = 1,16m			d = 1,82m		d = 2,18m	
							J7
						J6	
				J5			
J1 - PICK & CARRY							
J0 - No LIFTING CAPACITY							
STABILITY AREA							

CRANE PERFORMANCE : J7										
L [m]→	2,6	2,8	3,8	4,8	5,84	6,8	7,8	8,8	9,8	10,3
1	3200	3000	2650	2400	2300	2100	1730	1650	1550	1450
2	3200	3200	2600	2300	2090	1880	1730	1550	1450	1270
3			2600	2300	1950	1700	1530	1410	1260	1170
4				2250	1750	1550	1350	1300	1180	1030
5					1500	1300	1150	1120	1000	960
6						1100	1100	1040	930	900
7							800	800	800	800
8								650	640	640
9									530	520
9,5										500
↑R [m]	[kg]									

LC532_V2030523_COJ7

SPX532 - MAIN BOOM

HOOK configuration

CRANE PERFORMANCE: J6										
L [m]→	2,6	2,8	3,8	4,8	5,8	6,8	7,8	8,8	9,8	10,3
1	3200	3000	2650	2400	2300	2100	1730	1650	1550	1450
2	3200	3200	2600	2300	2090	1880	1730	1550	1450	1270
3			2600	2300	1950	1700	1530	1410	1260	1170
4				1700	1650	1500	1350	1300	1180	1030
5					1100	1100	1100	1000	1000	960
6						800	800	800	800	800
7							600	600	600	600
8								480	480	480
9									400	400
9,5										360
↑R [m]	[kg]									

LC532_V2030523_C0J6

CRANE PERFORMANCE: J5					
L [m]→	2,6	2,8	3,8	4,8	5,8
1	1500	1500	1000	700	400
2	1200	1200	700	500	400
3			600	450	300
4				350	280
5					200
↑R [m]	[kg]				

LC532_V2030523_C0J5

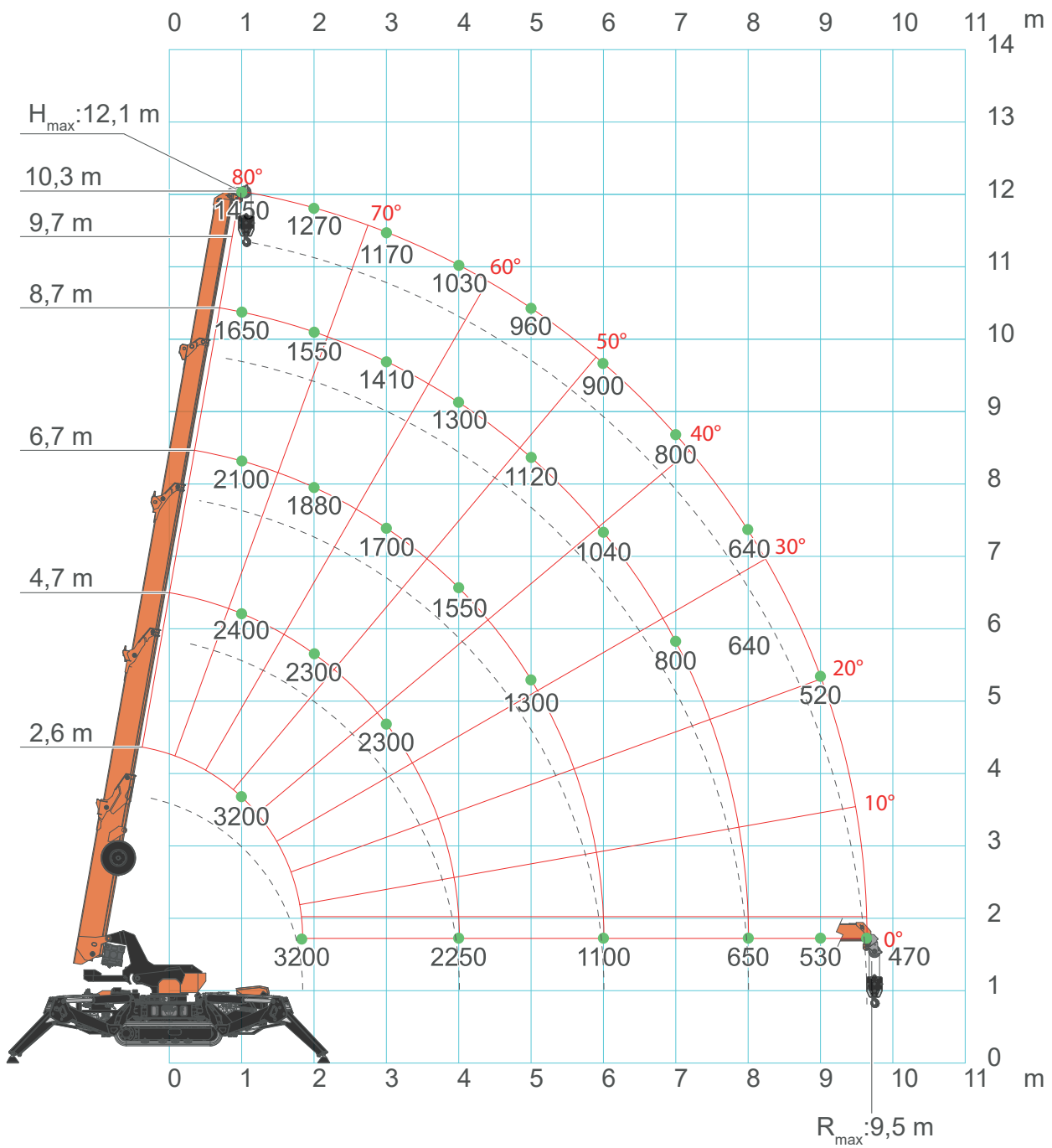
CRANE PERFORMANCE: J1		
L [m]→	2,6	2,8
1	400	400
2		110
↑R [m]	[kg]	

LC532_V2030523_C0J1

SPX532 - MAIN BOOM

WINCH configuration

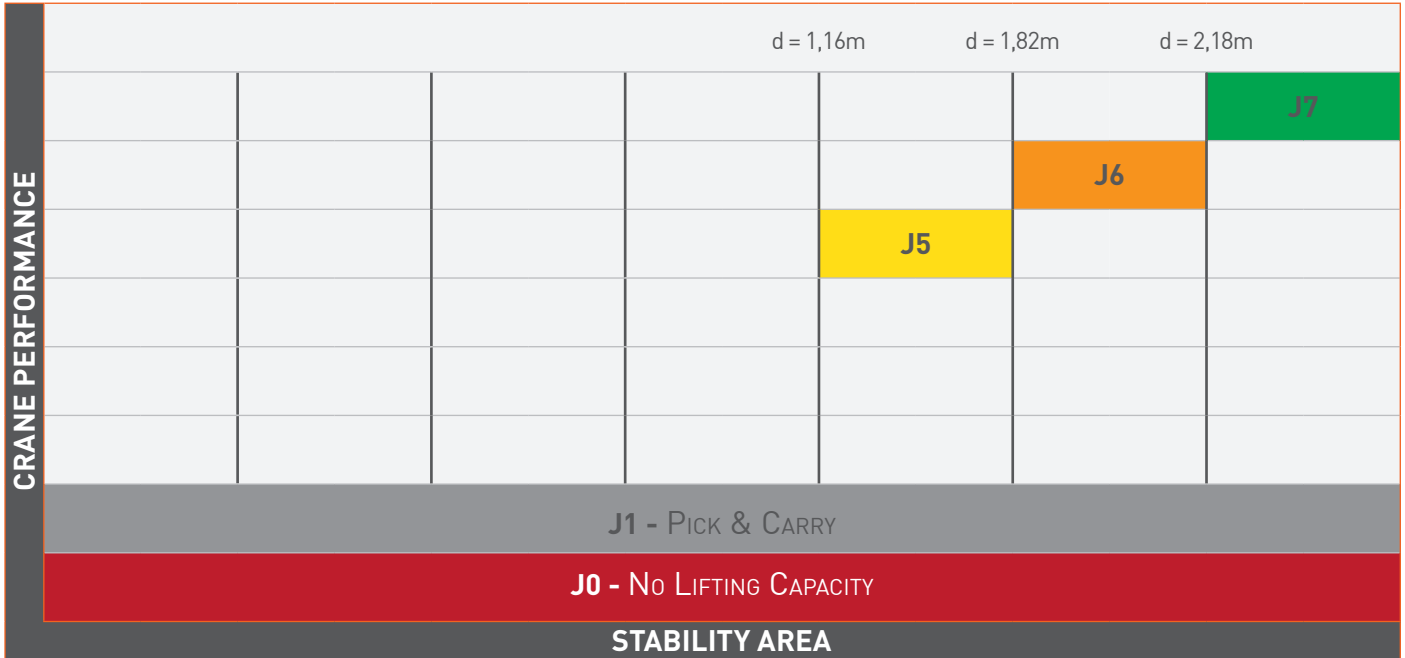
J7



[kg]

SPX532 - MAIN BOOM

WINCH configuration



CRANE PERFORMANCE : J7										
L [m]→	2,6	2,7	3,7	4,7	5,7	6,7	7,7	8,7	9,7	10,3
1	3200	3000	2650	2400	2300	2100	1730	1650	1550	1450
2	3200	3200	2600	2300	2090	1880	1730	1550	1450	1270
3			2600	2300	1950	1700	1530	1410	1260	1170
4				2250	1750	1550	1350	1300	1180	1030
5					1500	1300	1150	1120	1000	960
6						1100	1100	1040	930	900
7							800	800	800	800
8								650	640	640
9									530	520
9,5										470
↑R [m]	[kg]									

LC532_V2030523_C1J7

SPX532 - MAIN BOOM

WINCH configuration

CRANE PERFORMANCE: J6										
L [m]→	2,6	2,7	3,7	4,7	5,7	6,7	7,7	8,7	9,7	10,3
1	3200	3000	2650	2400	2300	2100	1730	1650	1550	1450
2	3200	3200	2600	2300	2090	1880	1730	1550	1450	1270
3			2600	2300	1950	1700	1530	1410	1260	1170
4				1700	1650	1500	1350	1300	1180	1030
5					1100	1100	1100	1000	1000	960
6						800	800	800	800	800
7							600	600	600	600
8								480	480	480
9									400	400
9,5										320
↑R [m]	[kg]									

LC532_V2030523_C1J6

CRANE PERFORMANCE: J5					
L [m]→	2,6	2,7	3,7	4,7	5,7
1	1500	1500	1000	700	400
2	1200	1200	700	500	400
3			600	450	300
4				350	280
5					200
↑R [m]	[kg]				

LC532_V2030523_C1J5

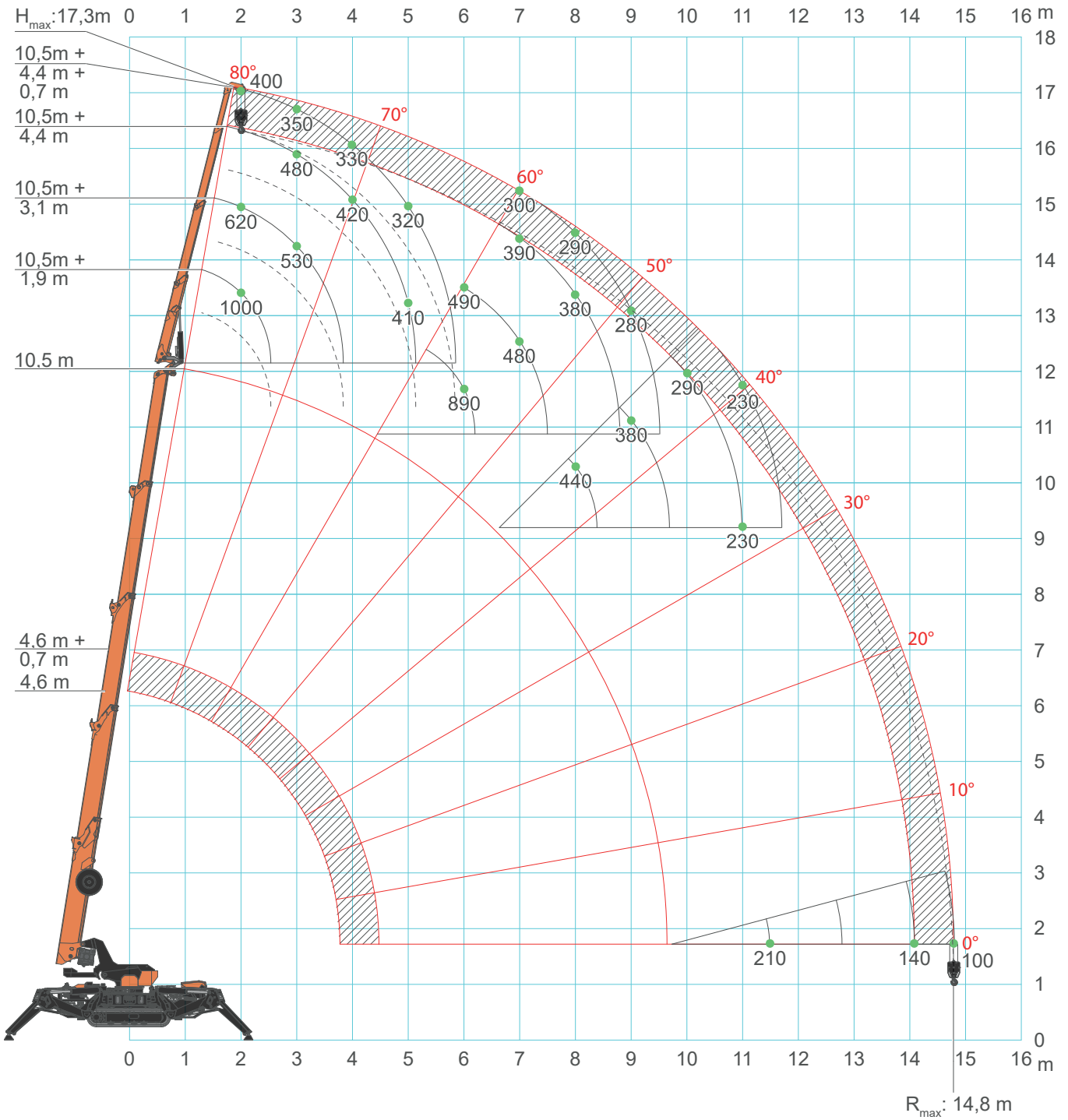
CRANE PERFORMANCE: J1		
L [m]→	2,6	2,7
1	400	400
2		110
↑R [m]	[kg]	

LC532_V2030523_C1J1

SPX532 - JIB1000.2H1MX

WINCH configuration

J7



[kg]

SPX532 - JIB1000.2H1MX

WINCH configuration

CRANE PERFORMANCE	d = 1,16m			d = 1,82m		d = 2,18m	
							J7
						J6	
				J5			
J1 - PICK & CARRY							
J0 - No LIFTING CAPACITY							
STABILITY AREA							


CRANE PERFORMANCE: J7					
L [m]→	1,9	3,1	4,4	5,1	
2	1000	620	490	400	
3	1000	530	480	350	
4	1000	510	420	330	
5	1000	500	410	320	
6	890	490	400	310	
7	670	480	390	300	
8	440	400	380	290	
9	380	380	340	280	
10	290	290	290	250	
11	230	230	230	230	
12		190	190	190	
13			150	150	
14			140	130	
14,8				100	
↑R [m]	[kg]				

LC532_V2030523_C17J7


*References at accessories limits page

SPX532 - JIB1000.2H1MX


WINCH configuration

 CRANE PERFORMANCE: J6					
L _j [m]→	1,9	3,1	4,4	5,1	
2	1000	540	450	400	
3	1000	500	430	350	
4	1000	480	360	300	
5	800	430	330	290	
6	590	400	300	280	
7	420	380	290	270	
8	300	300	280	260	
9	200	200	200	200	
10	140	140	140	140	
11	110	110	110	110	
↑R [m]	[kg]				

LC532_V2030523_C17J6

 CRANE PERFORMANCE: J5					
L _j [m]→	1,9	3,1	4,4	5,1	
2	800	420	250	210	
3	700	400	240	200	
4	400	300	230	190	
5	280	240	220	180	
↑R [m]	[kg]				

LC532_V2030523_C17J5

 CRANE PERFORMANCE: J1					
L _j [m]→	1,9				
2	100				
3	100				
4	50				
↑R [m]	[kg]				

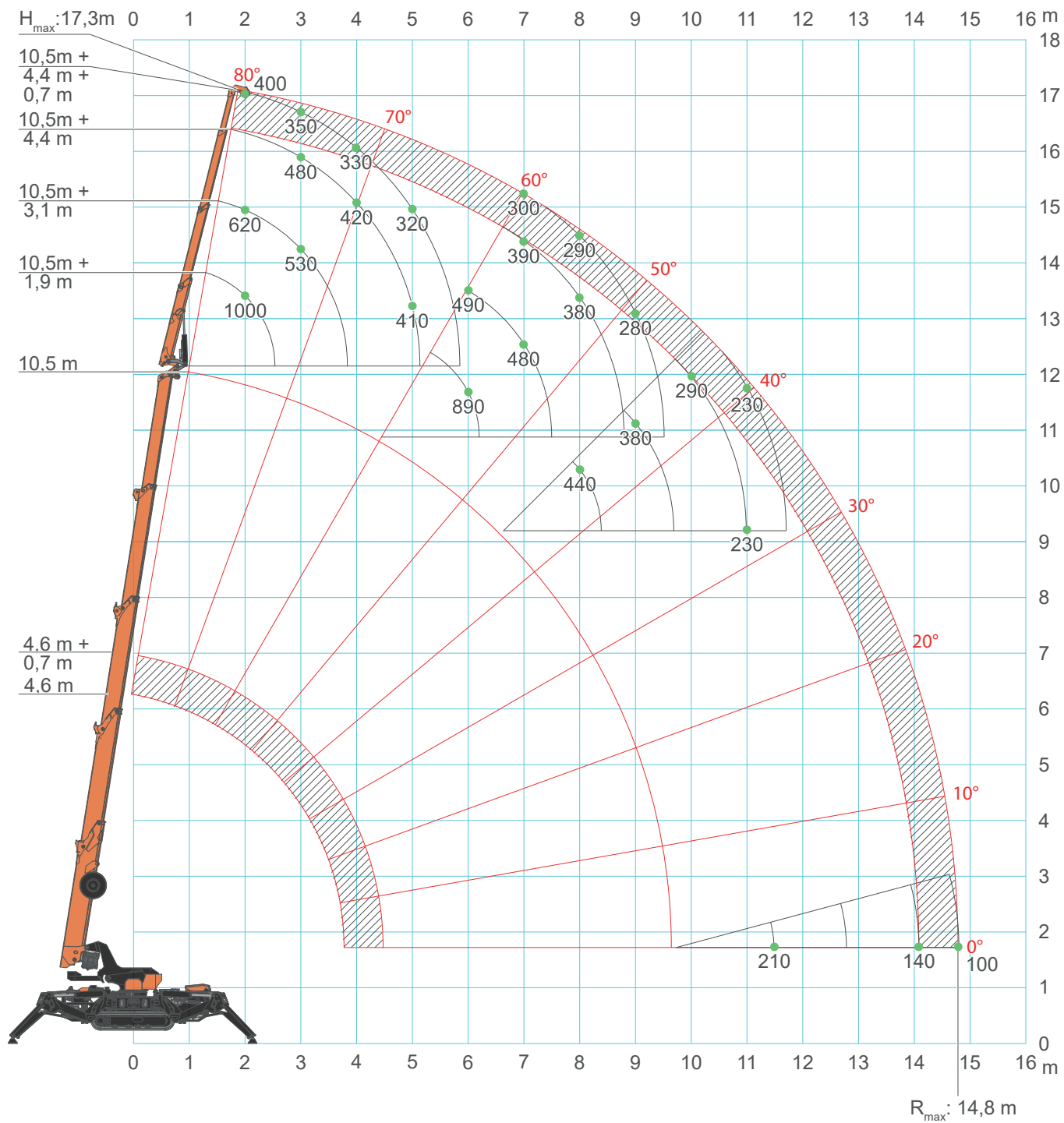
LC532_V2030523_C17J1

*References at accessories limits page

SPX532 - JIB1000.2H1MX

HOOK configuration

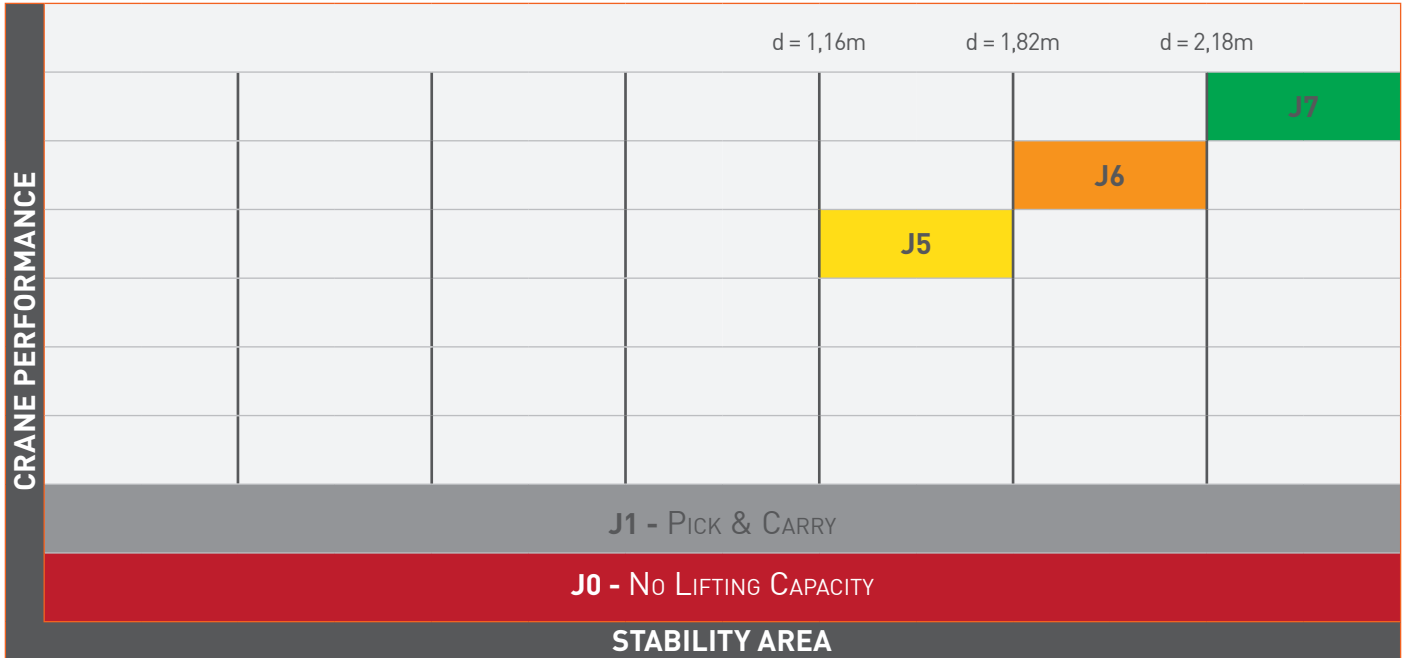
J7



[kg]

SPX532 - JIB1000.2H1MX

HOOK configuration




CRANE PERFORMANCE: J7				
L _j [m]→	1,9	3,1	4,4	5,1
2	1000	620	490	400
3	1000	530	480	350
4	1000	510	420	330
5	1000	500	410	320
6	890	490	400	310
7	670	480	390	300
8	440	400	380	290
9	380	380	340	280
10	290	290	290	250
11	230	230	230	230
12		190	190	190
13			150	150
14			140	130
14,8				100
↑R [m]	[kg]			


LC532_V2030523_C16J7

*References at accessories limits page

SPX532 - JIB1000.2H1MX

HOOK configuration

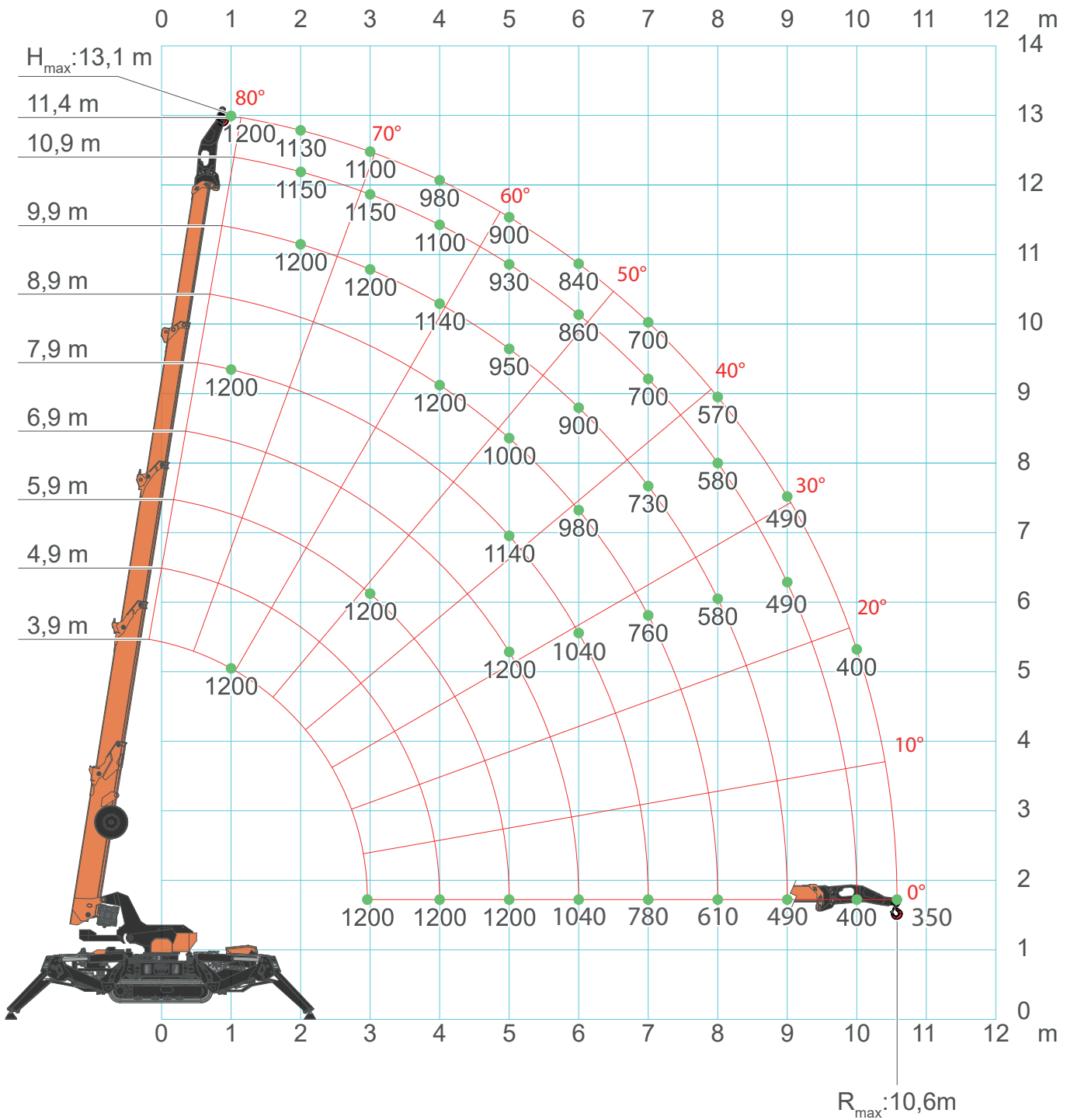
 CRANE PERFORMANCE: J6					
L _j [m]→	1,9	3,1	4,4	5,1	
2	1000	540	450	400	
3	1000	500	430	350	
4	1000	480	360	300	
5	800	430	330	290	
6	590	400	300	280	
7	420	380	290	270	
8	300	300	280	260	
9	200	200	200	200	
10	140	140	140	140	
11	110	110	110	110	
↑R [m]	[kg]	LC532_V2030523_C16J6			

 CRANE PERFORMANCE: J5					
L _j [m]→	1,9	3,1	4,4	5,1	
2	800	420	250	210	
3	700	400	240	200	
4	400	300	230	190	
5	280	240	220	180	
↑R [m]	[kg]	LC532_V2030523_C16J5			

 CRANE PERFORMANCE: J1		
L _j [m]→	1,9	
2	100	
3	100	
4	50	
↑R [m]	[kg]	LC532_V2030523_C16J1

SPX532 - JIB1200GX

J7



[kg]

SPX532 - JIB1200GX



CRANE PERFORMANCE: J7										
[m] L →	2,6	2,8	3,8	4,8	5,8	6,8	7,8	8,8	9,8	10,3
L+L _J →	3,7	3,9	4,9	5,9	6,9	7,9	8,9	9,9	10,9	11,4
1	1200	1200	1200	1200	1200	1200	1200	1200	1200	1200
2	1200	1200	1200	1200	1200	1200	1200	1200	1150	1130
3	1200	1200	1200	1200	1200	1200	1200	1200	1150	1100
4			1200	1200	1200	1200	1200	1140	1100	980
5				1200	1200	1140	1000	950	930	900
6					1040	1000	980	900	860	840
7						780	760	730	700	700
8							610	580	580	570
9								490	490	490
10									400	400
10,6										350
↑R [m]	[kg]									

LC532_V2030523_C8J7

*References at accessories limits page

SPX532 - JIB1200GX

CRANE PERFORMANCE: J6										
[m] L →	2,6	2,8	3,8	4,8	5,8	6,8	7,8	8,8	9,8	10,3
L+L _J →	3,7	3,9	4,9	5,9	6,9	7,9	8,9	9,9	10,9	11,4
1	1200	1200	1200	1200	1200	1200	1200	1200	1200	1200
2	1200	1200	1200	1200	1200	1200	1200	1200	1150	1130
3	1200	1200	1200	1200	1200	1200	1200	1200	1150	1000
4			1200	1200	1200	1200	1200	1140	1100	980
5				1080	1000	960	950	930	920	900
6					780	750	710	680	620	600
7						580	560	540	500	480
8							440	430	420	400
9								350	350	320
10									290	280
10,55										250
↑R [m]	[kg]									

LC532_V2030523_C8J6

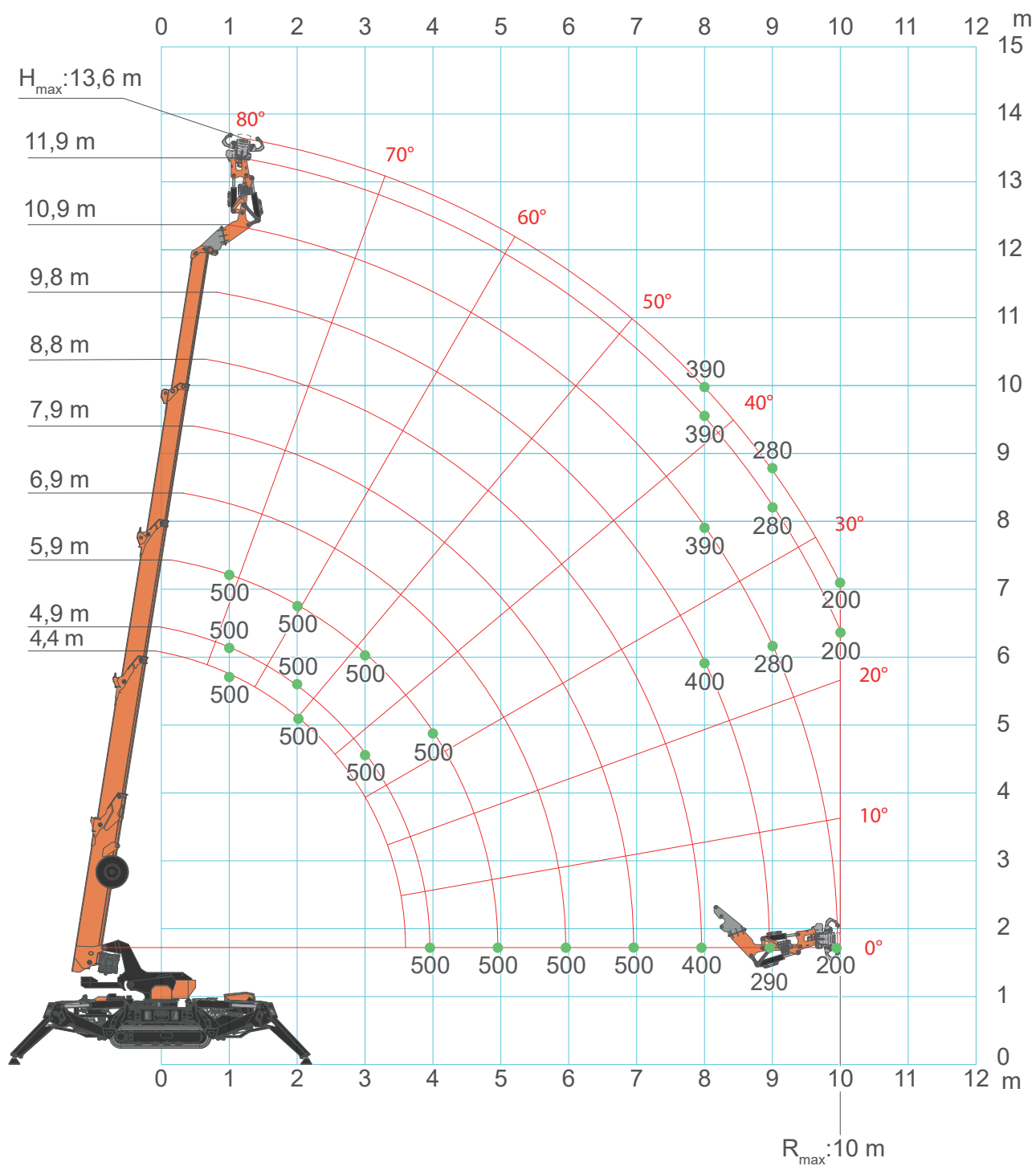
CRANE PERFORMANCE: J5				
[m] L →	2,6	2,8	3,8	4,8
L+L _J →	3,7	3,9	4,9	5,9
1	1200	1000	700	400
2	1100	600	500	360
3	540	540	400	260
4			280	220
5				150
↑R [m]	[kg]			

LC532_V2030523_C8J5

*References at accessories limits page

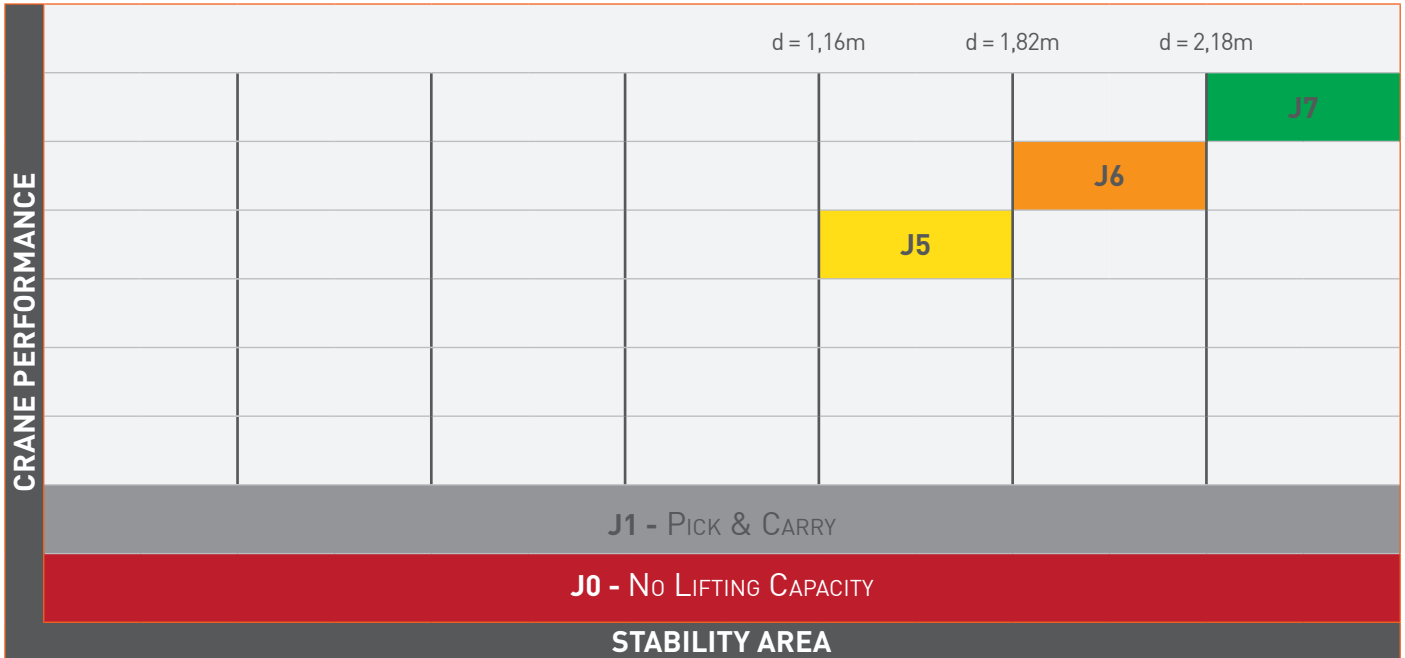
SPX532 - JIB500GR

J7



[kg]

SPX532 - JIB500GR



CRANE PERFORMANCE: J7										
[m] L →	2,6	3,1	4,1	5,1	6,1	7,0	8,0	9,1	10,1	10,3
L+L _J →	4,4	4,9	5,9	6,9	7,9	8,8	9,8	10,9	11,9	12,1
1	500	500	500	500	500	500	500	500	500	500
4	500	500	500	500	500	500	500	500	500	500
5			500	500	500	500	500	500	500	500
6				500	500	500	500	500	500	500
7					500	500	500	500	500	500
8						400	400	390	390	390
9							290	280	280	280
10								200	200	200
↑R [m]	[kg]									

LC532_V2030523_C24J7

*References at accessories limits page

SPX532 - JIB500GR

CRANE PERFORMANCE: J6										
[m] L →	2,6	3,1	4,1	5,1	6,1	7,0	8,0	9,1	10,1	10,3
L+L _J →	4,4	4,9	5,9	6,9	7,9	8,8	9,8	10,9	11,9	12,1
1	500	500	500	500	500	500	500	500	500	500
4	500	500	500	500	500	500	500	500	500	500
5			500	500	500	500	500	500	500	500
6				500	500	490	460	440	430	430
7					350	340	330	310	310	310
8						230	220	210	210	210
↑R [m]	[kg]									

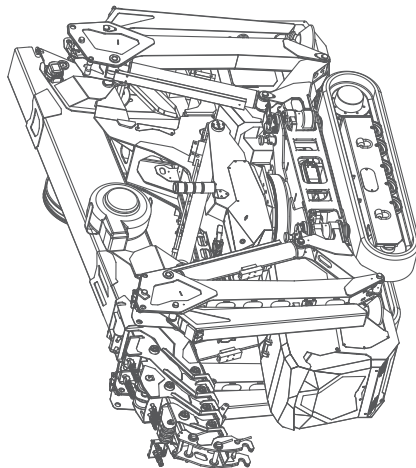
LC532_V2030523_C24J6

CRANE PERFORMANCE: J5				
[m] L →	2,6	3,1	4,1	
L+L _J →	4,4	4,9	5,9	
1	500	500	500	
2	500	500	500	
3	500	400	400	
4		300	300	
5			200	
↑R [m]	[kg]			






LC532_V2030523_C24J5

ACCESSORIES SPX532CDH





SPXS32CDH






CRANE OPTIONS

-  W800.80
-  W800.65-P
-  W800.85-P
-  W600.125
-  4T-D8
-  HA-SPX532
-  EXT-532
-  WT-532
-  OM400.1
-  VAI
-  WUK-02.1
-  ARTIC-OIL-532
-  ARTIC-OIL-SPECIAL
-  OUT-LED-1

ELECTRIC POWER PACK

-  PP220-2.B
-  PP220-4.B
-  PP400-6.B
-  PP230-6.B

ATTACHMENTS & TOOLS

-  JIB1200GX
-  JIB1000.2H1MX
-  TK-JIB 1000

COLOR & STICKERS PERSONALIZATION

-  CRANE
- RAL2004 STANDARD
- PC01 CUSTOM
- RAL7021 FRAME + OUTRIGGERS
- PC11

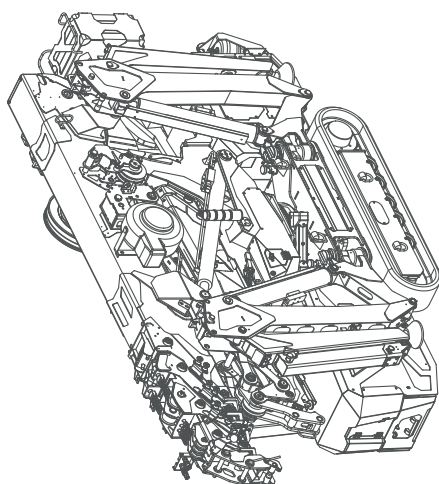
WARRANTY EXTENSION

-  2YW-532
- 3YW-532







ACCESSORIES

SPX532CL




SPX532CL






CRANE OPTIONS

-  W800.80
-  W800.65-P
-  W800.85-P
-  W600.125
-  4T-D8
-  HA-SPX532
-  EXT-532
-  WT-532
-  OM400.1
-  VAI
-  WUK-02.2
-  ARTIC-OIL-532
-  ARTIC-OIL-SPECIAL
-  OUT-LED-1

BATTERY OPT. & CHARGERS

-  BC3-110V60A-532
-  BP-FB-SPX532
-  BC-EXT-A

ATTACHMENTS & TOOLS

-  JIB1200GX
-  JIB1000.2H1MX
-  TK-JIB 1000

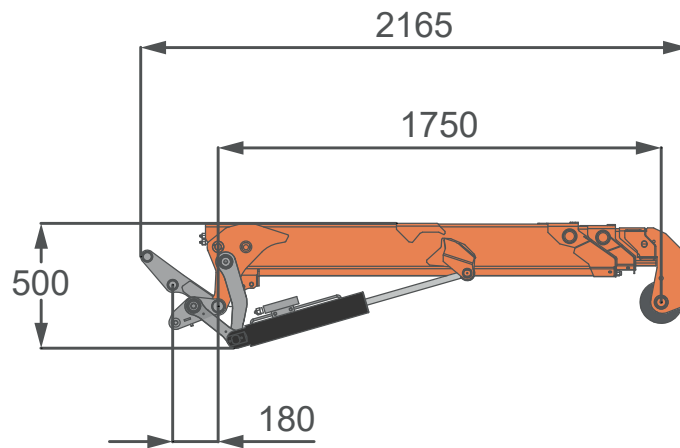
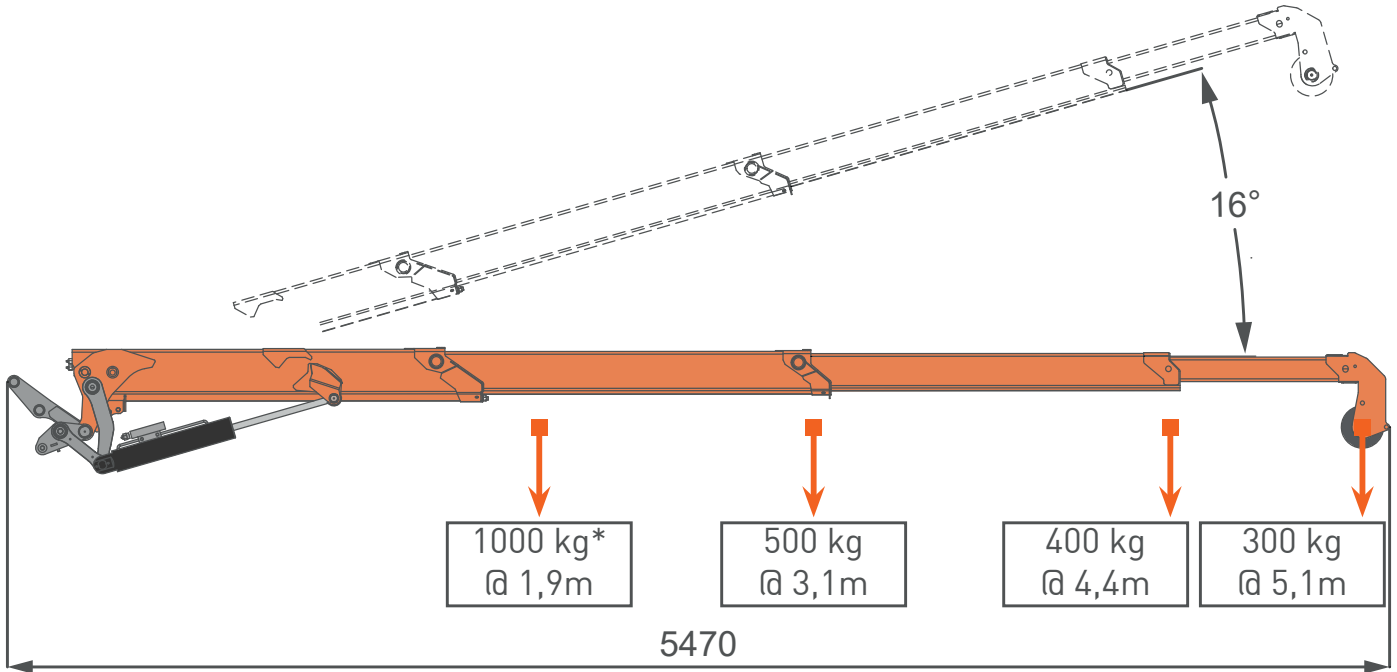
COLOR & STICKERS PERSONALIZATION

-  CRANE
- STANDARD: RAL2004 PC01
- CUSTOM: RAL7021 PC11

WARRANTY EXTENSION

-  2YW-532
- 3YW-532

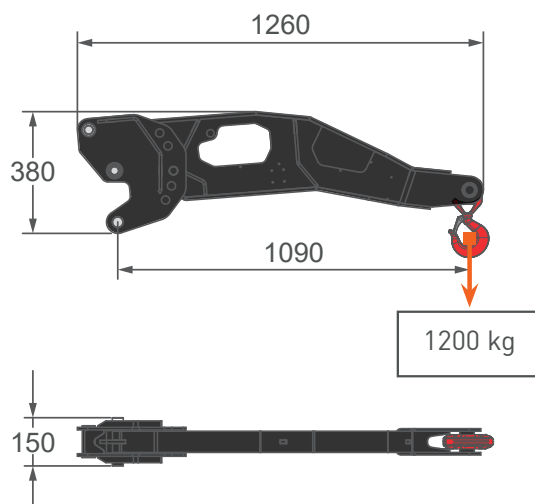
ACCESSORIES FEATURES JIB1000.2H1MX



*: While working in winch configuration it can only be used single fall block, which max capacity is limited to 800 kg

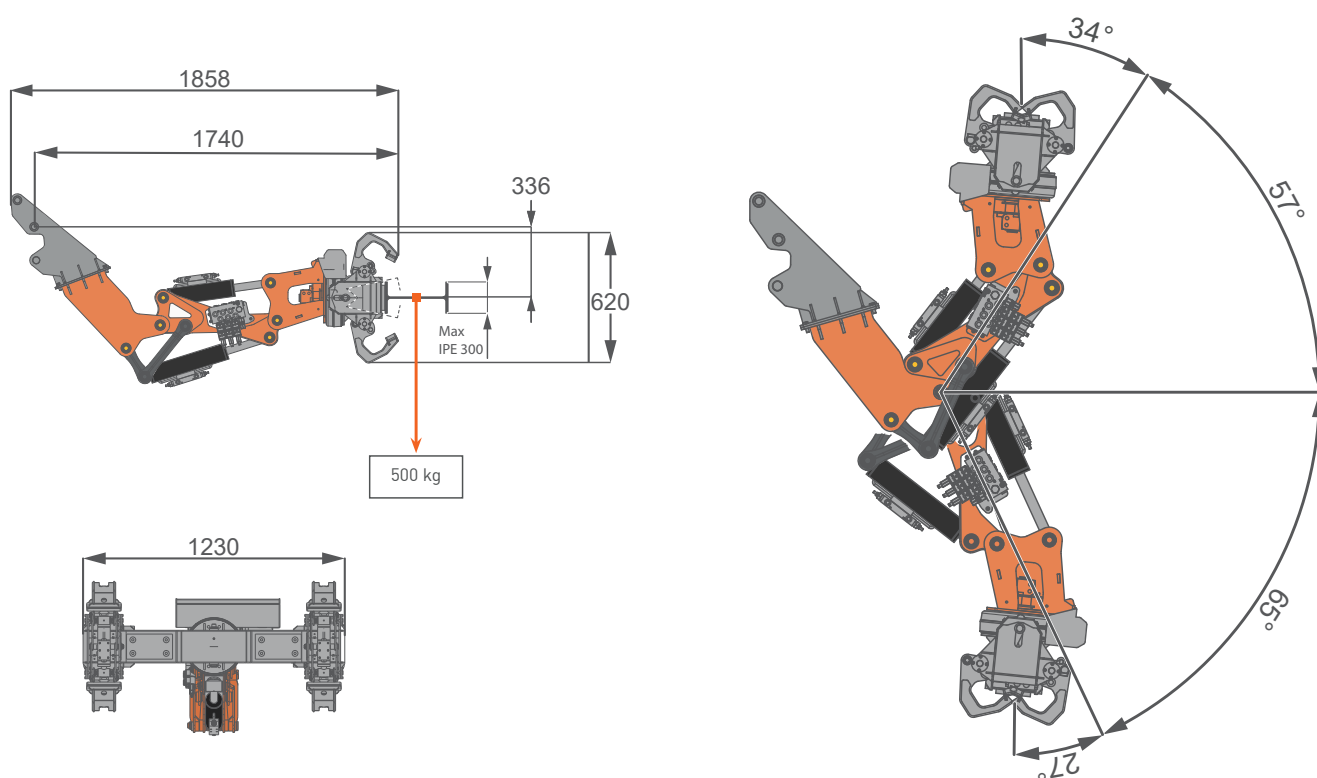
ACCESSORIES FEATURES

JIB1200GX





















ACCESSORIES FEATURES

JIB500GR



[mm]

SYMBOLS

	Weight		Diesel Engine		Boom Angle		Hydraulic Oil
	Crane		Powerpack		Boom Length		Working Temperature
	Travel Speed		Slewing		Jib		Grabber
	Gradeability		Outriggers Mats		Max Capacity		Electric Engine
	Outriggers Load		Track Load				

REMARKS REFERRING TO LOAD CHART

- The load charts are calculated according to EN 13000:2014.
- For the calculation of the load charts at least a wind speed of 9m/s (33km/h) and regarding the load a sail area of 1m² per ton load and a wind resistance coefficient of 1.2 on the load have been taken into account. For lifting of loads with large sail areas and/or high wind resistance coefficients the maximum wind speed as stated in the load charts has to be reduced.
- Lifting capacities are given in kilograms.
- The weight of the hook blocks and hooks is part of the load and therefore it must be deducted from the lifting capacities.
- Working radii are measured from the slewing centre.
- The lifting capacities given for the telescopic boom apply if the folding jib is removed.
- Subject to modification of lifting capacities.

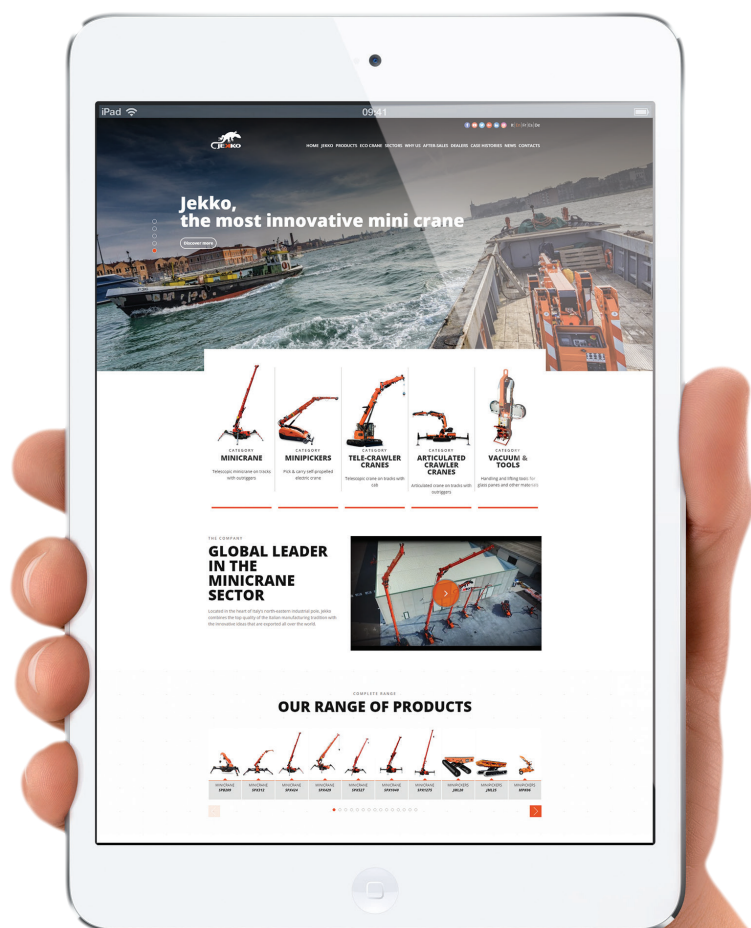
YOUR JEKKO DEALER

EN All specifications and features herein described can be changed without prior advice. All indicated data are indicative only and are not binding as crane performs differently depending on its use. **IT** Tutte le caratteristiche e le specifiche descritte possono essere soggette a variazioni senza preavviso. Tutti i dati riportati sono forniti a puro titolo informativo e non sono impegnativi dal momento che le prestazioni della macchina variano in funzione dell'utilizzo. **DE** Unangekündigte Änderungen sämtlicher Eigenschaften und Daten sind möglich. Alle Angaben sind Richtwerte und nicht verbindlich da die Leistungen der Vorrichtung von deren Einsatz abhängen. **ES** Todas las características y las especificaciones aquí indicadas pueden ser sujetas a variaciones sin aviso. Se dan todos los datos aquí indicados como simples informaciones. No se consideran como vinculantes, dado que las prestaciones del maquinario pueden variar. **FR** Toutes les caractéristiques et le spécifications descriptives peut être sujet à variation sans préavis. Tout les données rapportés sont fournis à titre informatif et ne sont pas engager au moment que la prestation de la machine change en fonction de l'emploi.



www.jekko-cranes.com

Visit jekko-cranes.com to keep in contact with us, discover all the latest news and find out technical details of all our products.





Jekko s.r.l.

Via Campardone, 1 - 31014 Colle Umberto (TV) - Italy
info@jekko.it - www.jekko-cranes.com

06.03.2024 | Rev0.11

SERIAL NUMBER:

